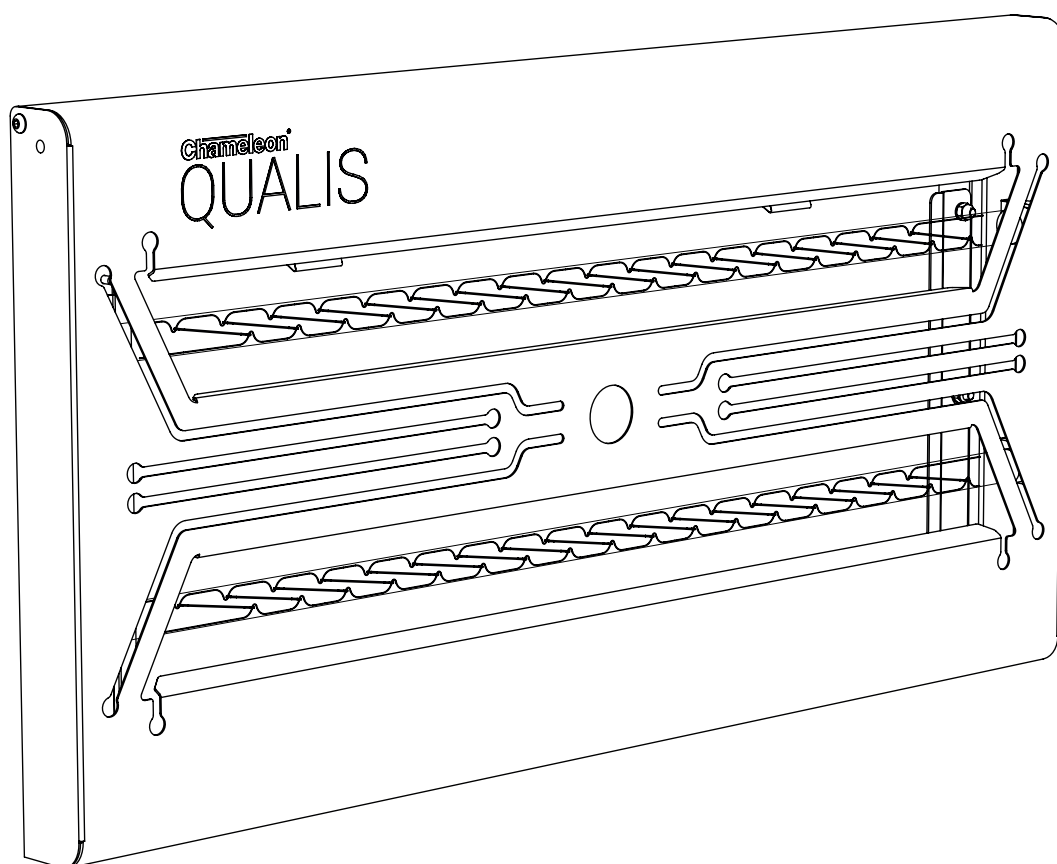


Find us on:  Facebook

Chameleon[®] QUALIS X

QUANTUM[®]
LED



**INSTRUCTIONS FOR USE
GEBRUIKSAANWIJZING
GEBRAUCHSANLEITUNG
ISTRUZIONI PER L'USO
BRUKSANVISNING
INSTRUKCJA OBSŁUGI
INSTRUCCIONES DE USO
NOTICE D'INSTRUCTIONS**

INSTRUCTIONS FOR USE AND MAINTENANCE**PRECAUTIONS**

All PestWest® traps are fully insulated, class 1 appliances, nevertheless, sensible precautions should be observed:

- **Switch off the machine before servicing or cleaning.**
- **Keep out of reach of children.**
- **The Quantum® X LED lamps produce ultraviolet light in the UV-A region at 370nm wavelength, which can be harmful to the skin and eyes, avoid prolonged exposure at close proximity.**
- **Do not install where dangerous concentrations of flammable gases or dusts are likely to occur.**
- **Ensure the unit is properly earthed.**
- **The Chameleon Qualis can be used by persons with reduced physical, sensory or mental capabilities or lack of experience and knowledge if they have been given supervision or instruction concerning use of the Chameleon® Qualis in a safe way and understand the hazards involved.**
- **If the supply cord is damaged, it must be replaced by the manufacturer, its service agent or similarly qualified persons to avoid a hazard.**
- **Ensure that operators have adequate and secure working platform, when working on the machines.**
- **Do not allow the sticky board to become over-filled with dead insects. Change at regular intervals as required by the catch or at least every 6-8 weeks. Ensure PestWest® sticky boards are fitted as replacement.**
- **The Chameleon® Qualis is designed for indoor use only.**
- **Not suitable for use in barns, stables and similar locations.**
- **To maintain the attractive appearance of the units, wipe down and clean as often as required. Use a cloth dampened with water and detergent or a proprietary cleaner. Do not use scouring pads or abrasives.**

PRODUCT DESCRIPTION

All PestWest flytraps are made using the highest quality materials. The Chameleon Qualis is of either conformal polyester powder-coated finish over a Zintec (rust-resistant) chassis or 304 brushed stainless-steel finish. The Chameleon Qualis utilises the PestWest full-size sticky board and is fitted with next generation Quantum X LED filament lamps with a peak wavelength of 370nm coated with FEP shatter-resistant coating as standard.

The new Quantum X LED filament lamp is made with the familiar T5 form factor (glass tube, end caps and pins) used in our conventional 14WT5 fluorescent Quantum lamps.

The main advantages of the Quantum X LED filament lamp technology are the extended pattern of light distribution and the improved energy efficiency. Increased fly attraction is partly due to the LED filaments light distribution, which is around 360° compared with only 120° typical of high power SMD (Surface Mounted Device) LEDs found in older first-generation LED insect light traps. LED filaments are also more energy efficient than both high power SMD UV-A LEDs and also conventional fluorescent lamps.

The Quantum X LED filament lamp consists of 18 individual LED filaments mounted on a frame and hermetically sealed within a glass tube with a state-of-the art gas cooling system, which is far superior to traditional metal heat sinks.

Each LED filament has 24 individual LEDs which are mounted on a transparent substrate, which enables the Quantum X LED lamp to provide light in all directions. The combination of 360° light distribution and the softer intensity of light produced by far more LEDs (432 per lamp) gives the Quantum X superior fly catching performance.

TECHNICAL SPECIFICATION

Voltage Range	220-240V
Frequency Range	50-60Hz
Power Consumption	13W
Ingress Protection Rating	20
Classification	Class 1
Ambient operating temperatures	0 to +40°C
LED Driver type	Constant Current
Area of Coverage	90-120m ²
Sticky board	135-000226 LED 21" STICKY BOARD
LED Lamp type	130-000321 Quantum X LED 370nm 550mm T5 Shatter-Resistant
Mounting Method	Wall Mounted
Unit Dimensions mm	H300 x W575 x D40
Weight	3.1 kg

UNPACKING YOUR UNIT

Each unit is carefully inspected and packed before leaving our factory. Before discarding the outer carton, examine for obvious evidence of transport damage. Remove the unit and pay attention to the removal of all packing materials, before installing the unit.

MODE OF OPERATION

Electrical flytraps operate on the principle that most flying insects are attracted to light, particularly to the ultraviolet (UV) end of the light spectrum. Since insects are still active and will fly at night, traps should be left operating 24 hours a day.

SITING

The efficiency of the unit can be affected by the intensity of other light sources, e.g.: daylight. Therefore, mount the unit where competition from other sources is minimised.

In food areas, mount close to, but not directly over, exposed food or preparation surfaces (preferably to attract flies away from sensitive areas rather than attract towards them). Observe where the flies tend to congregate and if possible, put your flytrap in or close to that area.

Site the units near where flies are likely to gain access, e.g.: doors and windows opening to the outside, especially dustbin areas.

Position the trap where it can be easily reached; not over working machinery where access may be difficult or dangerous.

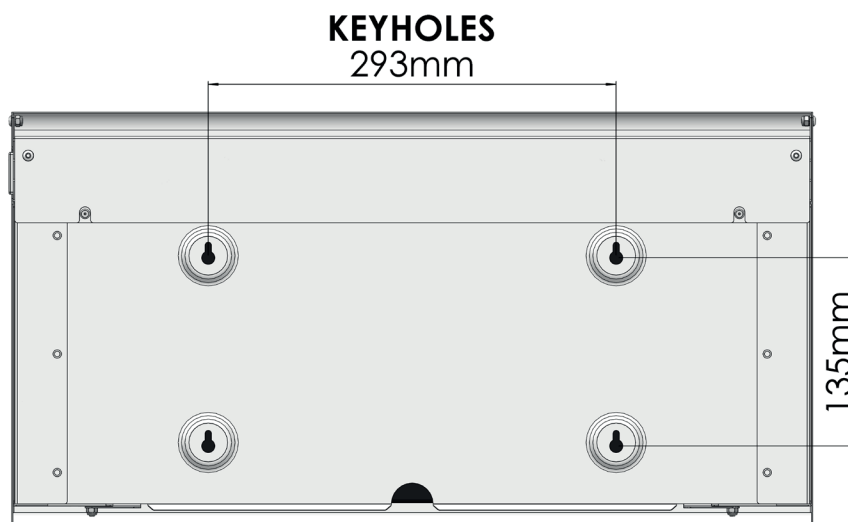
ELECTRICAL SUPPLY

The units are supplied with a removable 2 metre input cable, terminated in a connector to match the local electricity supply. The units operate from a 220-240V 50-60Hz supply. If it is necessary to extend the input cable, a competent electrician must do this. Should a moulded-on plug be removed from the lead supplied, this must be disposed of safely. Ensure that once installed, the power lead is adequately secured.

INSTALLATION

The Chameleon Qualis is designed to be wall mounted. The unit has four keyholes in the back panel to easily mount the unit onto the wall.

Figure 1 – Keyhole mounting locations

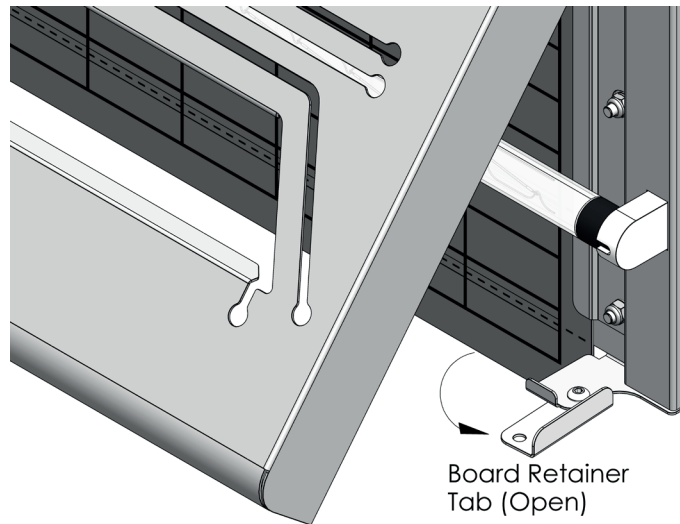


To reduce UV light exposure to skin and particularly the eyes, PestWest recommends that the unit is mounted 1.8m above the floor (measured from the lower edge of the unit). Also avoid mounting the unit in close proximity (less than 1m) from an area where people are working for extended periods.

The unit can be wall mounted using only the upper two keyhole fixing points. However, if the wall is of plasterboard, stud partition etc, we recommend using all four mounting points and suitable plasterboard fixings to ensure the unit will be securely mounted.

To mount the unit onto the wall firstly open the front cover by lifting outwards from the bottom (Note: when the cover is opened approximately 45° it will stay open on its own). Next, open the two board retainer tabs at the bottom of the unit by twisting outwards as shown below

Figure 2 – Board Retainer Tabs

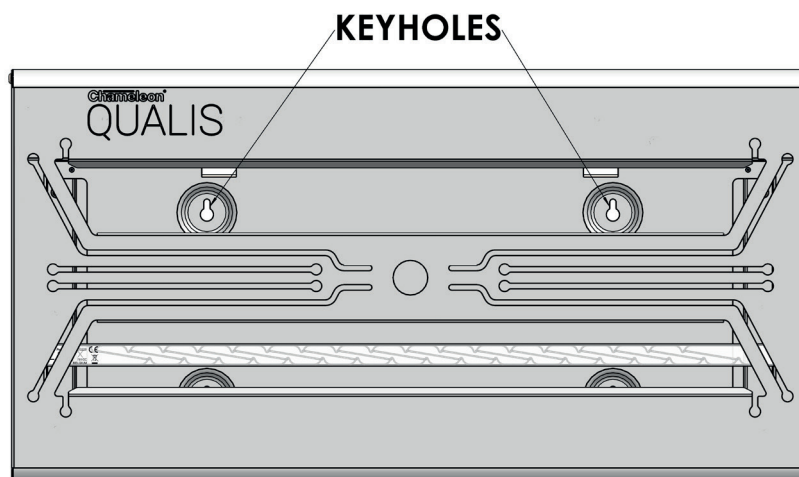


This will allow the sticky board to be removed from the unit by simply pulling the sticky board downwards.

Now remove the upper LED lamp by simply grasping and rotating the lamp 90° until 2 clicks are heard. The LED lamp may now be withdrawn by sliding it out of the lamp holders.

Fold the board retainer tabs back into their original closed position and close the front cover. Looking at the front of the unit now you can clearly see the two upper keyhole mounting points. You can now use the unit as a template, place a spirit level along the top edge of the unit to ensure it is level and then mark off the two fixing points on to the mounting surface.

Figure 3 – Marking the fixing points (Sticky board & Upper LED lamp removed)



Drill the marked off points to a depth of 40mm using a No 8 drill. Place the plastic plugs into the wall then screw the screws into the plastic plugs leaving the head of the screw approximately 10mm from the wall. Should the wall be of plasterboard, stud partition etc, we recommend repeating the above procedure with the lower two fixing points.

The unit will now hook over the screws because of the keyhole feature. You must now fully tighten the screws so that the unit is properly secured to the wall and ensure the screw heads do not prevent the fitting of the sticky board. You can now re-install the LED Lamp (CAUTION! Refer to the 'CHANGING THE LED LAMPS' section to ensure the LED lamp is fitted correctly) and sticky board, which is the opposite procedure to removal. Secure the power cord to the wall or other firm surface prior to connecting to the supply.

CLEANING AND MAINTENANCE

To maintain the attractive appearance of the units, wipe down and clean as often as required. Always switch the machine off for maintenance or cleaning. Use a cloth dampened with water and detergent or a proprietary cleaner. Do not use scouring pads or abrasives. The Quantum X LED lamps in the Chameleon Qualis should be changed at least once every 3 years. It is recommended that the installation date is recorded for future reference, there is a label on the side of the unit for this purpose.

The Quantum X LED lamp is made from glass and has a shatter-resistant coating to allow for use in glass exclusion zones. This shatter-resistant coating is of the highest quality available, using a material, FEP that is both UV and operating temperature tolerant, whilst allowing high emissions of the critical UV light.

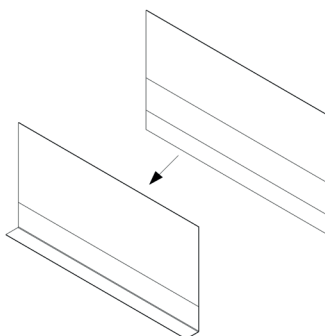
RENEWING THE STICKY BOARD

Always install PestWest® LED 21" sticky boards to ensure peak efficiency and performance of the Chameleon Qualis. This LED 21" sticky board has been developed in conjunction with the PestWest Quantum X LED lamps to provide the most effective performance as possible. Using any other sticky board will have a negative impact on the performance of the trap. Switch off the machine before servicing. Sticky boards should be changed when full or at least every 6-8 weeks. Regular inspections of the sticky boards are recommended, as they are not entirely visible in normal operation. Ensure PestWest sticky boards are used as replacements.

Open the front cover by lifting outwards from the bottom (Note: when the cover is opened approximately 45° it will stay open on its own). To remove the sticky board, you must first twist the board retainer tabs at the bottom of the unit outwards. This will allow the old board to be removed from the unit by simply pulling the sticky board downwards.

The sticky board has a perforation line about 30mm from the edge that allows this small section of the sticky board to be folded at a 90° angle. This folded section of the board will help catch any debris falling from the upper part of the sticky board. Before removing the backing paper, you need to fold this section and then remove the backing paper from the new sticky board.

Figure 4 – Folding the sticky board in place



Slide the sticky board into position in the machine, sticky side facing the UV LED lamps, ensuring they click into place under the sprung retainers at the top of the machine. Fold the board retainer tabs back into their original closed position so that they hold the folded section of the sticky board in place and close the front cover. You can now switch the unit back on.

REPLACEMENT PARTS

Sticky Board type: 135-000226 (LED 21" STICKY BOARD - PK6)

LED Lamp type: 130-000321 (Quantum X LED 370nm 550mm T5 Shatter-Resistant).

To ensure a safe use and optimum performance only fit the above original parts.

CHANGING THE LED LAMPS



Switch off the machine before servicing. It must be noted that LED lamps are nothing like fluorescent lamps, failure to disconnect the unit from power when removing or inserting a lamp is likely to permanently damage the LEDs. This will result in the LED lamp being irreparably damaged.



Switch off the machine before servicing. Open the front cover by lifting outwards from the bottom (Note: when the cover is opened approximately 45° it will stay open on its own). Grasp and rotate each LED lamp 90° until the 2 clicks are heard. The LED lamps may then be withdrawn by sliding them out of the lamp holders.

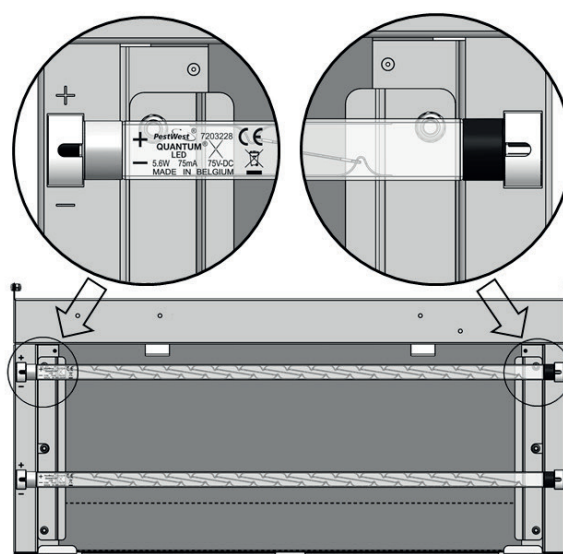
CAUTION – Quantum X LED lamps are powered by Direct Current (D.C.) at one end only, which is easily recognised by the silver end cap and the printing on the left-hand side (LHS), see figure 5. The D.C. input pins (LHS) require fitting in the correct polarity, positive (+) and negative (-). Please note that the correct polarity is marked with a + & - symbol on the Quantum X LED lamp (LHS printing) and the corresponding LED lamp pins must be fitted to the corresponding + & - symbols on the metalwork, located on the left side of the trap, next to the lamp holders, see figure 5.

Replacing the LED lamps is the opposite procedure to removal. Close the front cover and switch the unit back on.

Figure 5 – Fitting the LED lamps in the correct polarity and orientation

- When fitting the LED lamps ensure the silver end cap is fitted into the left-hand side (LHS) lamp holders, with the + & - symbols correctly aligned.
- The black non voltage end cap should be fitted into the right-hand side (RHS) lamp holders.
- The LED lamps will not operate in any other configuration.
- The unit will only operate with Quantum X LED 370nm 550mm T5 lamps.

Manufacturer reserves the right to vary model specifications without notice



GUARANTEE

All PestWest units are supplied with a 3-year guarantee (excluding LED lamps and sticky board).

INSTRUCTIES VOOR GEBRUIK EN ONDERHOUD**VOORZORGSMAATREGELEN**

Alle PestWest® toestellen zijn volledig geïsoleerde Klasse I toestellen, maar toch moeten de volgende voorzorgsmaatregelen in acht worden genomen:

- **Schakel het toestel uit voordat het onderhouden of gereinigd wordt.**
- **Buiten het bereik van kinderen houden.**
- **De Quantum® X LED-lampen produceren ultraviolet licht in het UV-A-gebied met een golflengte van 370 nm, wat schadelijk kan zijn voor de huid en ogen. Vermijd langdurige blootstelling in de buurt van het toestel.**
- **Installeer het toestel niet op plaatsen waar gevaarlijke concentraties brandbare gassen of stof kunnen optreden.**
- **Zorg ervoor dat het toestel is voorzien van een deugdelijke aarding.**
- **De Chameleon® Qualis kan worden gebruikt door personen met een mentale of fysieke beperking of door mensen met beperkte ervaring mits zij supervisie of instructies krijgen over het gebruik van de Chameleon® Qualis op een veilige manier en de betrokken gevaren begrijpen.**
- **Als het netsnoer beschadigd is, moet het worden vervangen door de fabrikant, zijn serviceagent of personen met vergelijkbare kwalificaties om gevaar te voorkomen.**
- **Zorg ervoor dat onderhoudstechnici een geschikt en veilig werkplatform hebben wanneer ze aan het toestel werken.**
- **Vermijd dat de lijmplank overvol raakt met dode insecten. Vervang deze met regelmatige tussenpozen zoals vereist door de vangst of ten minste elke 6 tot 8 weken. Zorg ervoor dat enkel PestWest® lijmplanken als vervanging worden aangebracht.**
- **De Chameleon® Qualis is uitsluitend ontworpen voor gebruik binnenshuis.**
- **Niet geschikt voor gebruik in schuren, stallen en soortgelijke locaties.**
- **Om het uiterlijk van de toestellen te behouden, moet u ze zo vaak als nodig afnemen en schoonmaken. Gebruik een met water en schoonmaakmiddel bevochtigde doek of een geschikt schoonmaakmiddel. Gebruik geen schuursponsjes of schuurmiddelen.**

PRODUCTOMSCHRIJVING

Alle PestWest toestellen zijn gemaakt van materialen van de hoogste kwaliteit. De Chameleon Qualis is verkrijgbaar in 2 versies: met polyester poedercoating op een Zintec (roestbestendig) chassis en met een 304 geborsteld roestvrijstalen afwerking. De Chameleon Qualis maakt gebruik van de standaard PestWest lijmplank en is uitgerust met nieuwe generatie Quantum X LED filament lampen met een piekgolflengte van 370 nm, standaard met FEP breukvrije ("shatterproof") coating.

De nieuwe Quantum X LED filament lamp is gemaakt met de bekende T5-vormfactor (glazen buis, eindkappen en pennen) die wordt gebruikt in onze conventionele 14W T5 Quantum UV-lampen.

De belangrijkste voordelen van de Quantum X LED filament lamptechnologie zijn de veel bredere lichtverdeling en de verbeterde energie-efficiëntie. De verhoogde aantrekkingskracht voor vliegende insecten is gedeeltelijk te danken aan de lichtverdeling van de LED filamenten, wat neerkomt op ongeveer 360° en dus veel ruimer is vergeleken met slechts 120°, wat typisch is voor krachtige SMD (Surface Mounted Device) LED's die worden aangetroffen in oudere LED-insectenvangers van de eerste generatie. LED filamenten zijn ook energiezuiniger dan krachtige SMD UV-A-LED's en conventionele UV-lampen.

De Quantum X LED filament lamp bestaat uit 18 individuele LED filamenten die op een frame zijn gemonteerd en hermetisch zijn afgesloten in een glazen buis met een geavanceerd gaskoelsysteem, dat veel betere prestaties levert dan traditionele metalen koellichamen.

Elk LED filament heeft 24 individuele LED's die op een transparant substraat zijn gemonteerd, waardoor de Quantum X LED-lamp in alle richtingen licht kan geven. De combinatie van 360° lichtverdeling en de zachtere lichtintensiteit van veel meer leds (432 per lamp) maakt dat de Quantum X superieure prestaties biedt voor het wegvangen van vliegende insecten.

TECHNISCHE SPECIFICATIES

Spanningsbereik	220-240V
Frequentiebereik	50-60Hz
Stroomverbruik	13.5W
Ingress Protection Rating	20
Classificatie	Klasse 1
Omgevingstemperatuur	0 tot +40°C
LED Driver type	Constante stroom
Vangbereik	90m ²
Lijmplank	135-000226 LED 21" STICKY BOARD
LED Lamp type	130-000321 Quantum X LED 370nm 550mm T5 Shatter-Resistant
Montagewijze	Wandmontage
Afmetingen toestel (in mm)	H: 300 x B: 575 x D: 40
Gewicht	3,1 kg

UW TOESTEL UITPAKKEN

Elk toestel wordt zorgvuldig geïnspecteerd en verpakt voor vertrek uit de fabriek. Controleer voor het uitpakken, de verpakking op eventuele transportschade. Verwijder vervolgens zorgvuldig alle verpakkingsmaterialen van en uit het toestel.

WERKING

Elektrische vliegenvangers werken volgens het principe dat de meeste vliegende insecten worden aangetrokken door licht, met name naar het ultraviolette (UV) uiteinde van het lichtspectrum. Aangezien vliegende insecten ook 's nachts actief zijn en zullen rondvliegen, wordt aangeraden om de toestellen 24u per dag aan te laten staan.

POSITIONERING

De efficiëntie van het toestel kan worden beïnvloed door de intensiteit van andere lichtbronnen, bijvoorbeeld daglicht. Positioneer het toestel daarom op plaatsen waar de concurrentie van andere lichtbronnen tot een minimum wordt beperkt.

Positioneer het toestel op plaatsen waar met voedsel wordt gewerkt dicht bij, maar niet direct boven blootgestelde voedsel- of bereidingsoppervlakken om vliegen weg te lokken van gevoelige gebieden in plaats van ze er naar toe te lokken. Observeer waar de vliegen de neiging hebben om samen te komen en plaats, indien mogelijk, het toestel in of dicht bij dat gebied.

Plaats het toestel in de buurt van plaatsen waar vliegen waarschijnlijk toegang kunnen krijgen, b.v. deuren en ramen die naar buiten openen, vooral gebieden waar afvalbakken staan. Plaats het toestel daar waar het gemakkelijk kan worden bereikt, idealiter rond hoofdhoogte voor gemakkelijk onderhoud. Plaats het toestel niet direct boven werkende machines, waar toegang moeilijk of gevaarlijk kan zijn.

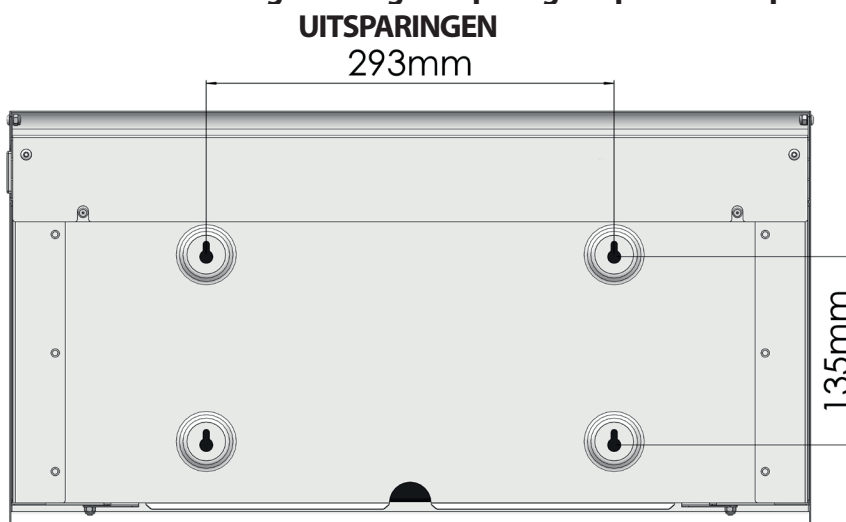
STROOMVOORZIENING

Het toestel wordt geleverd met een verwijderbaar netsnoer van 2 meter, met een stekker die past bij lokale stopcontacten en werkt op een 220-240V 50-60Hz voeding. Als het nodig is om het netsnoer te verlengen, moet dit gebeuren door een bekwame elektricien. Wanneer de stekker van het meegeleverde netsnoer verwijderd moet worden, dan moet deze veilig worden afgevoerd. Zorg ervoor dat het snoer na installatie voldoende is vastgemaakt.

INSTALLATIE

De Chameleon Qualis is ontworpen om aan de muur te worden bevestigd. Het toestel heeft vier sleutelgatvormige uitsparingen in het achterpaneel om het eenvoudig aan de muur te kunnen bevestigen.

Figuur 1 - Positie sleutelgatvormige uitsparingen op het achterpaneel

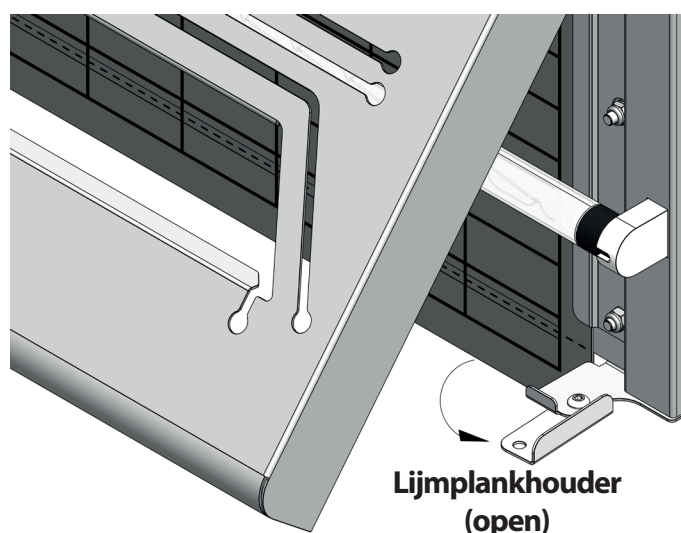


Om blootstelling van UV-licht aan de huid en met name aan de ogen te verminderen, raadt PestWest aan om het toestel 1,8 m boven de vloer te monteren (gemeten vanaf de onderkant van het apparaat). Vermijd ook montage van het toestel in de directe nabijheid (minder dan 1 m) van plaatsen waar mensen gedurende langere tijd werken.

Het toestel kan aan de muur worden gemonteerd met alleen de bovenste twee bevestigingspunten (sleutelgatvormige uitsparingen). Als de muur echter bestaat uit gipsplaat, staanderwanden, e.d. raden we aan om alle vier de bevestigingspunten en geschikte gipsplaatbevestigingen te gebruiken om ervoor te zorgen dat het toestel stevig wordt bevestigd.

Om het toestel aan de muur te bevestigen, opent u eerst de voorklep door deze vanaf de onderkant naar buiten op te tillen (Opmerking: wanneer de klep ongeveer 45° wordt geopend, blijft deze vanzelf open staan). Draai vervolgens de twee lijmplankhouders aan de onderkant van het toestel naar buiten zoals hieronder wordt weergegeven.

Figuur 2 - Lijmplankhouders

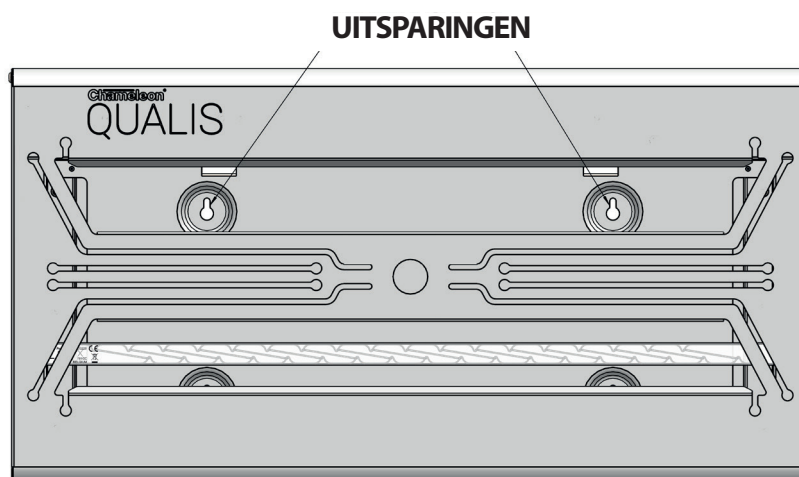


Hierdoor kan de lijmplank uit het toestel worden verwijderd door deze eenvoudigweg naar beneden te trekken.

Verwijder nu de bovenste LED-lamp door de lamp simpelweg vast te nemen en 90° te draaien totdat u 2 klikken hoort. De LED-lamp kan nu worden verwijderd door deze uit de lamphouders te schuiven.

Draai de lijmplankhouders terug in hun oorspronkelijke gesloten positie en sluit de voorklep. Als u nu naar de voorkant van het apparaat kijkt, ziet u duidelijk de twee bovenste bevestigingspunten. U kunt het toestel nu als sjabloon gebruiken en een waterpas langs de bovenrand van het apparaat plaatsen om ervoor te zorgen dat het waterpas is en vervolgens de twee bevestigingspunten op het montageoppervlak markeren.

Figuur 3 - De bevestigingspunten markeren (lijmplank en bovenste LED lamp verwijderd uit het toestel)



Boor de gemarkeerde punten tot een diepte van 40 mm met een boor nr. 8. Plaats de plastic pluggen in de muur en draai de schroeven in de plastic pluggen, waarbij u de kop van de schroef ongeveer 10 mm van de muur laat. Als de muur gemaakt is van gipsplaat, staanderwanden, e.d. raden we aan de bovenstaande procedure te herhalen met de onderste twee bevestigingspunten.

Het toestel kan nu op de schroeven gehaakt worden dankzij de uitsparingen in het achterpaneel. U moet nu de schroeven volledig vastdraaien zodat het toestel goed aan de muur wordt bevestigd en ervoor zorgen dat de schroeven de plaatsing van de lijmplank niet verhinderen. U kunt nu de LED-lamp opnieuw installeren (LET OP! Raadpleeg het gedeelte 'DE LED-LAMPEN VERVANGEN' om er zeker van te zijn dat de LED-lamp correct is aangebracht) alsook de lijmplank, wat de tegenovergestelde procedure is van het verwijderen van deze onderdelen uit het toestel. Bevestig het netsnoer aan de muur of een ander stevig oppervlak voordat u het aansluit op de voeding.

SCHOONMAAK EN ONDERHOUD

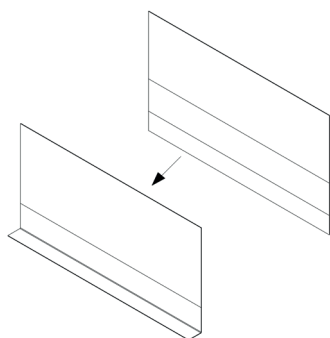
Schakel het toestel altijd uit voordat u het schoonmaakt. Om het aantrekkelijke uiterlijk van de toestellen te behouden, moet u ze zo vaak als nodig afvegen en schoonmaken. Gebruik een met water en schoonmaakmiddel bevochtigde doek of een geschikt schoonmaakmiddel. Gebruik geen schuursponsjes of schuurmiddelen. De Quantum X LED lampen in de Chameleon Qualis zouden tenminste één keer per 3 jaar vervangen moeten worden. Het wordt aanbevolen om de datum van plaatsing bij te houden voor toekomstig gebruik. Hiervoor bevindt zich een label aan de zijkant van het toestel.

De Quantum X LED-lamp is gemaakt van glas en heeft een splintervrije coating voor gebruik in glazen uitsluitingszones. Deze splintervrije coating is van de hoogste kwaliteit die beschikbaar is, met behulp van een materiaal, FEP, dat zowel UV- als bedrijfstemperatuurtolerant is, terwijl hoge emissies van het kritische UV-licht mogelijk zijn.

DE LIJMPLANK VERVANGEN

Gebruik altijd LED 21" PestWest lijmplanken voor een optimale werking en prestaties van de Chameleon Qualis. Deze LED 21" lijmplanken werden speciaal samen met de PestWest Quantum X LED lampen ontwikkeld om de beste prestaties te kunnen leveren. Het gebruik van andere lijmplanken kan een negatieve impact hebben op de prestaties van het toestel. Schakel het toestel uit voordat u onderhoud pleegt. Lijmplanken moeten worden vervangen wanneer ze vol zijn of ten minste elke 6-8 weken. Regelmatige inspecties van de lijmplanken worden aanbevolen, omdat ze bij normaal gebruik niet helemaal zichtbaar zijn. Zorg ervoor dat LED 21" PestWest lijmplanken worden gebruikt als vervanging.

Open de voorklep door deze vanaf de onderkant naar buiten te tillen (Opmerking: wanneer de klep ongeveer 45° wordt geopend, blijft deze vanzelf open staan). Om de lijmplank te verwijderen, moet u eerst de lijmplankhouders aan de onderkant van het apparaat naar buiten draaien. Hierdoor kan de oude lijmplank uit het toestel worden verwijderd door hem eenvoudigweg naar beneden te trekken.



Figuur 4 - De lijmplank vouwen

De lijmplank heeft een perforatielijn op ongeveer 30 mm van de rand waardoor dit kleine deel van de lijmplank in een hoek van 90° kan worden gevouwen. Dit gevouwen deel helpt bij het opvangen van vuil dat van het bovenste deel van de lijmplank valt. Voordat u de beschermfolie verwijdert, moet u dit gedeelte vouwen en vervolgens de beschermfolie van de nieuwe lijmplank verwijderen.

Schuif de lijmplank op zijn plaats in het toestel met het lijmoppervlak naar de UV-LED-lampen gericht, en zorg ervoor dat ze op hun plaats klikken onder de verende lijmplankhouders aan de bovenkant van het toestel. Draai de lijmplankhouders terug in hun oorspronkelijke gesloten positie, zodat ze het gevouwen gedeelte van de lijmplank op zijn plaats houden en sluit de voorklep. U kunt het toestel nu weer inschakelen.

VERVANGONDERDELEN

135-000226 (LED 21" STICKY BOARD - PK6)

LED lamp type: 130-000321 (Quantum X LED 370nm 550mm T5 splintervrij)

Om een veilig gebruik en optimale prestaties te garanderen, uitsluitend bovenstaande vervangonderdelen gebruiken.



Schakel het toestel uit voordat u onderhoud pleegt. Let op: LED-lampen zijn geen UV-lampen! Wanneer het toestel niet wordt losgekoppeld van de stroom bij het verwijderen of het plaatsen van een lamp, zal de LED waarschijnlijk permanent worden beschadigd. Hierdoor wordt de LED-lamp onherstelbaar beschadigd.

**DE LED LAMPEN VERVANGEN**

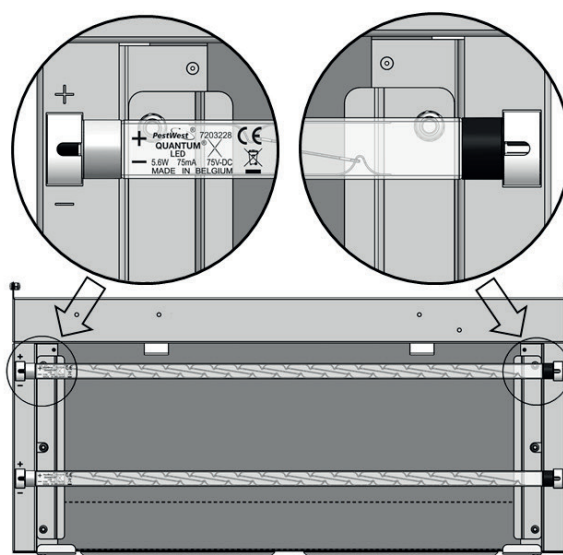
Schakel het toestel uit voordat u onderhoud pleegt. Open de voorklep door deze vanaf de onderkant naar buiten te tillen (Opmerking: wanneer de klep ongeveer 45° wordt geopend, blijft deze vanzelf open staan). Pak elke LED lamp vast en draai deze 90° totdat er 2 klikken hoorbaar zijn. De LED lampen kunnen dan worden verwijderd door ze uit de lamphouders te schuiven.

LET OP - Quantum X LED lampen worden slechts aan één uiteinde gevoed door gelijkstroom (DC), wat gemakkelijk te herkennen is aan de zilveren eindkap en de bedrukking aan de linkerkant (LHS), zie figuur 5. De DC-ingangspennen (LHS) moeten in de juiste polariteit worden geplaatst, positief (+) en negatief (-). Houd er rekening mee dat de juiste polariteit is gemarkeerd met een "+" & "-" symbool op de Quantum X LED lamp (LHS opdruk) en dat de bijbehorende LED lamppennen moeten worden aangebracht op de overeenkomstige "+" & "-" symbolen op het metaalwerk, aan de linkerkant van de val, naast de lamphouders, zie figuur 5.

Het aanbrengen van nieuwe LED lampen is de tegenovergestelde procedure voor het verwijderen. Sluit de voorklep en schakel het toestel weer in.

Figuur 5 - De LED lampen in de juiste polariteit en oriëntatie plaatsen

- Zorg er bij het monteren van de LED lampen voor dat de zilveren eindkap in de linker (LHS) lamphouders wordt geplaatst, met de "+" & "-" symbolen correct uitgelijnd.
- De zwarte spanningsloze eindkap moet in de rechter (RHS) lamphouders worden geplaatst.
- De LED lampen werken niet in een andere configuratie.
- Het toestel werkt alleen met Quantum X LED 370nm 550mm T5-lampen.



De fabrikant behoudt zich het recht voor om de modelspecificaties zonder voorafgaande kennisgeving te wijzigen.

GARANTIE

Alle PestWest toestellen worden geleverd inclusief 3 jaar garantie (uitgezonderd LED lampen en lijmplanken).

ANLEITUNG FÜR GEBRAUCH & INSTANDHALTUNG**VORSICHTSMAßNAHMEN**

Alle PestWest® UV-Insektenvernichter sind Geräte der Schutzklasse I. Dennoch sollten einige wichtige Sicherheitsregeln beachtet werden:

- **Schalten Sie das Gerät vor Wartungsarbeiten oder zur Reinigung grundsätzlich ab.**
- **Halten Sie das Gerät von Kindern fern.**
- **Die Quantum X LED-Röhren erzeugen ultraviolettes Licht im UV-A-Bereich bei einer Wellenlänge von 370 nm, die für Haut und Augen schädlich sein kann. Vermeiden Sie daher längere Aufenthalte in unmittelbarer Nähe.**
- **Installieren Sie die Geräte nicht in Bereichen, wo gefährliche Konzentrationen entzündlicher Gase oder Stäube auftreten können.**
- **Stellen Sie sicher, dass die Erdung fachgerecht durchgeführt wurde.**
- **Dieses Gerät ist nicht zur Wartung durch Personen mit eingeschränkten physischen, sensorischen oder geistigen Fähigkeiten oder mangelnder Erfahrung und Wissen bestimmt, es sei denn, sie arbeiten unter Aufsicht oder erhalten eine ausführliche Anleitung zur Wartung des Gerätes von einer Person, die für die Sicherheit verantwortlich ist.**
- **Wenn das Kabel beschädigt ist, muss es vom Hersteller, dem Distributor oder einer ähnlich qualifizierten Person ausgetauscht werden, um eine Gefährdung zu vermeiden.**
- **Sorgen Sie dafür, dass die Wartungsarbeiten nur von gesicherten Arbeitsbühnen und Leitern aus durchgeführt werden.**
- **Achten Sie darauf, dass die Klebefläche nicht zu stark mit abgetöteten Insekten bedeckt ist. Wechseln Sie die Klebeflächen in regelmäßigen Abständen, je nach Fangergebnis oder mindestens alle 6-8 Wochen.**
- **Nur für den Innenbereich geeignet.**
- **Nicht für Scheunen, Ställe oder ähnliche Lokalitäten geeignet.**
- **Um das attraktive Aussehen des Geräts aufrechtzuerhalten, sollte es so oft wie nötig gereinigt bzw. abgewischt werden. Benutzen Sie ein mit Wasser und passendem Reinigungsmittel getränktes Tuch. Verwenden Sie keine Scheuermittel, wie z.B. Stahlwolle oder Metallreinigungsschwämme.**

PRODUKTBESCHREIBUNG

Alle PestWest UV-Fluginsektenvernichter werden aus Materialien höchster Qualität gefertigt. Die Lackierung des Gehäuses besteht entweder aus polyesterbeschichtetem Zintec-Stahl (weißes Modell; ebenfalls rostbeständig) oder gebürstetem Edelstahl mit Edelstahlgütegrad 304. Das Chameleon Qualis ist mit einer PestWest Klebefläche und der neuesten Generation der Quantum X LED-Röhren ausgestattet. Diese LED-Röhren arbeiten mit einer Spitzenwellenlänge von 370nm und sind standardmäßig mit einer FEP-Bruchschutzbeschichtung versehen.

Die neue Quantum X LED-Röhre wird mit dem bekannten T5-Formfaktor (Glasröhre, Endkappen und Stifte) hergestellt (analog zu unseren herkömmlichen 14W T5-Leuchtstofflampen).

Die Hauptvorteile der Quantum X LED-Glühlampentechnologie sind das erweiterte Muster der Lichtverteilung und die verbesserte Energieeffizienz. Die erhöhte Fluginsektenanziehung ist zum Teil auf die Lichtverteilung der LED-Filamente zurückzuführen: im Vergleich zu den für Hochleistungs-SMD (Surface Mounted Device) LEDs typischen 120° in älteren LED-Insektenlichtfallen der ersten Generation, beträgt diese hier 360°. Zudem sind LED-Filamente auch energieeffizienter, als die beiden Alternativen Hochleistungs-SMD-UV-A-LEDs und herkömmliche UV-Leuchtstofflampen.

Die Quantum X LED-Röhre besteht aus 18 einzelnen LED-Filamenten. Diese sind auf einem Rahmen montiert und innerhalb einer Glasröhre hermetisch versiegelt. Die Glasröhre ist mit einem hochmodernen Gaskühlsystem ausgestattet, das herkömmlichen Wärmeableitern weit voraus ist.

Jedes dieser Filament verfügt jeweils über 24 einzelne LEDs, die auf einem transparenten Substrat montiert sind. Dadurch kann die Quantum X LED-Röhre Licht in alle Richtungen ausstrahlen. Durch die Kombination aus einer 360° Lichtverteilung und weicherer Lichtintensität, die durch die hohe Anzahl an LEDs (432 pro Röhre) zustande kommt, bietet Quantum X eine überlegene Leistung beim Fluginsektenfang.

TECHNISCHE SPEZIFIKATION

Spannung	220-240V
Frequenz	50-60Hz
Energieverbrauch	13.5W
Schutzart	20
Schutzklasse	1
Temperatur der Betriebsumgebung	0 bis +40°C
Typ des LED-Treibers	Konstantstromquelle
Wirkungsbereich	90m ²
Klebefläche	135-000226 LED 21" KLEBEFLÄCHE
Röhrentyp	130-000321 Quantum X LED 370nm 550mm T5 bruchgeschützt
Befestigungsmethode	Wandbefestigung
Abmessung des Geräts in mm	H300 x B575 x T40
Gewicht	3.1 kg

AUSPACKEN IHRES GERÄTES

Jede Einheit wird sorgfältig geprüft und verpackt, bevor diese unser Werk verlässt. Bevor Sie den Umkarton entsorgen, überprüfen Sie ihn auf offensichtliche Transportschäden. Entnehmen Sie das Gerät und entfernen Sie das gesamte Verpackungsmaterial, bevor Sie Ihr Gerät installieren.

ARBEITSWEISE

UV-Fluginsektenvernichter arbeiten nach dem Prinzip, dass die meisten fliegenden Insekten vom Licht, insbesondere vom ultraviolettem Spektrum (UV) des Lichtes angelockt werden. Da Insekten auch nachts aktiv sind, sollte das Gerät permanent eingeschaltet bleiben, d.h. 24 Stunden täglich, 7 Tage die Woche.

PLATZIERUNG

Die Effizienz des Gerätes kann durch die Intensität anderer Lichtquellen beeinträchtigt werden, z.B. durch Tageslicht. Montieren Sie deshalb das Gerät dort, wo der Einfluss anderer Lichtquellen am geringsten ist.

In Lebensmittelbereichen sollte das Gerät zwar in der Nähe von, aber nicht direkt über offenen Lebensmitteln und Lebensmittelzubereitungsflächen platziert werden. Am besten locken Sie die Fluginsekten von sensiblen Bereichen weg. Beobachten Sie, wo sich die Fluginsekten am häufigsten versammeln und wenn möglich, setzen Sie Ihr Gerät in der Nähe von diesen Bereichen ein.

Platzieren Sie das Gerät in der Nähe der Haupteinflugstellen der Fluginsekten, z.B. Türen und Fenstern, besonders aber auch in der Nähe von Abfallbehältern.

Positionieren Sie das Gerät da, wo es leicht zu erreichen ist, jedoch insbesondere nicht über laufenden Maschinen, wo der Zugang erschwert oder gefährlich sein kann.

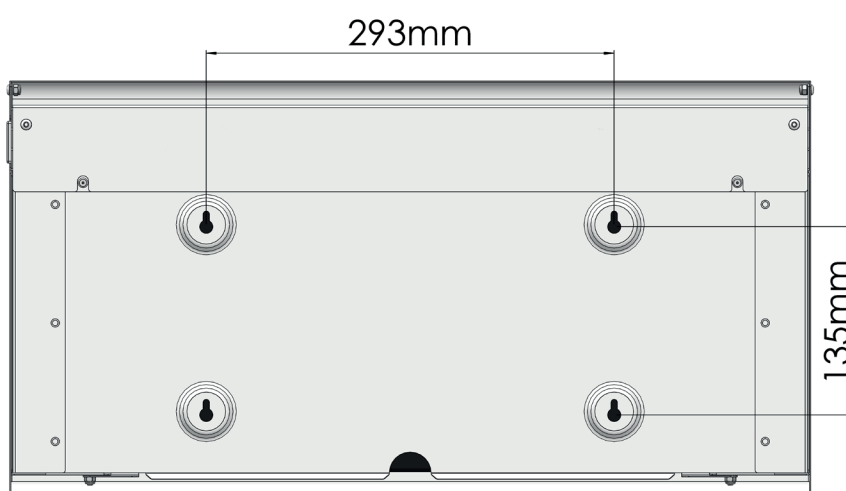
STROMVERSORGUNG

Das Gerät ist mit einem 2 Meter langen Anschlusskabel mit Stecker ausgestattet und benötigt eine 220-240V 50-60Hz Steckdose. Sollte es notwendig sein, das Netzkabel zu verlängern, so muss dies von einem fachkundigen Elektriker ausgeführt werden. In diesem Fall ist das alte Kabel (mitsamt des Steckers) sicher zu entsorgen. Stellen Sie zudem sicher, dass das Netzkabel nach der Montage entsprechend gesichert ist.

INSTALLATION

Das Chameleon Qualis verfügt über 4 Schlüsselochschlitze auf der Rückseite, um die Wandmontage mit den mitgelieferten Schrauben und Dübeln zu ermöglichen.

Abbildung 1 - Schlüsselöcher zur Wandmontage

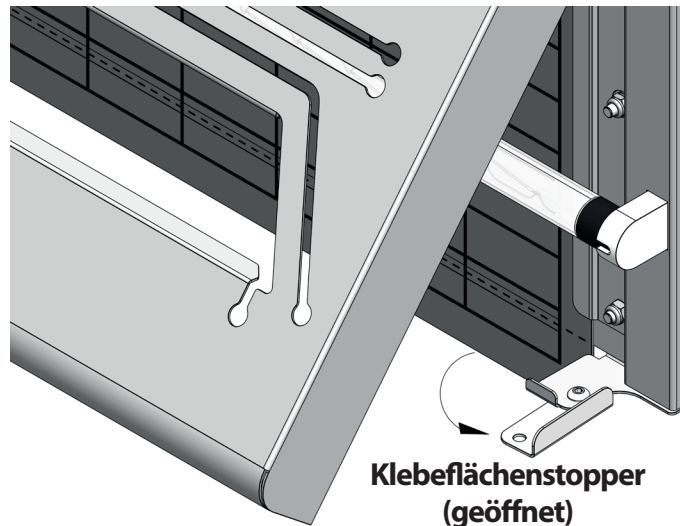


Um die UV-Lichtexposition von Haut und insbesondere Augen zu reduzieren, empfiehlt PestWest, das Gerät 1,8 m über dem Boden (gemessen von der unteren Kante des Geräts) anzubringen. Vermeiden Sie weiterhin die Montage des Gerätes in unmittelbarer Nähe (weniger als 1m Abstand), eines Bereiches in dem Personen über einen längeren Zeitraum hinweg arbeiten.

Grundsätzlich kann die Wandmontage lediglich mittels der beiden oberen Schlüssellöcher erfolgen. Sollte die Wand jedoch aus Leichtbaumaterial erstellt sein, empfehlen wir die Verwendung aller 4 Schlüssellöcher, sowie passender Fixierungen, um das Gerät sicher in der gewünschten Position zu halten.

Um das Gerät an der Wand zu montieren, öffnen Sie zunächst die vordere Abdeckung, indem Sie diese von unten nach außen heben (Hinweis: wenn die Abdeckung ca. 45° geöffnet wird, bleibt sie von selbst geöffnet). Öffnen Sie als Nächstes die beiden „Klebeflächenstopper“ am unteren Rand des Gerätes (s. nachfolgende Abbildung).

Abbildung 2 - Klebeflächenstopper

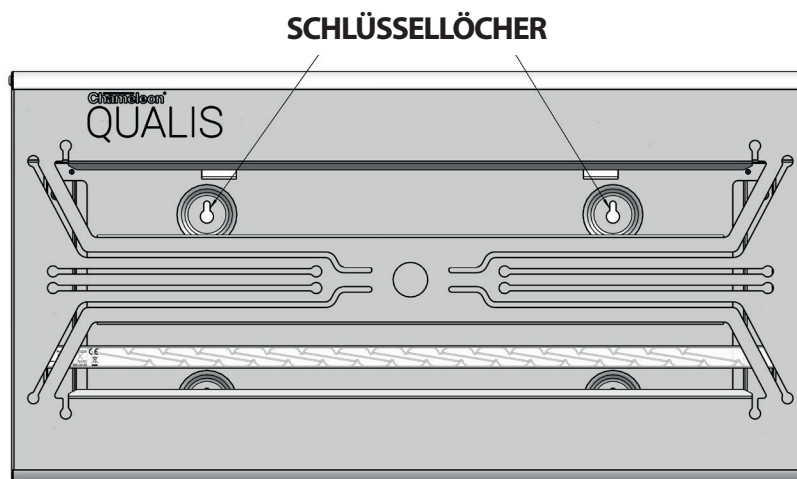


Nun kann die Klebefläche aus dem Gerät entfernt werden, indem diese einfach nach unten gezogen wird.

Drehen Sie jetzt die obere LED-Röhre um 90°, bis 2 Klicks zu hören sind. Diese LED-Röhre kann dann durch vorsichtiges Herausschieben aus den Lampenhaltern entnommen werden.

Bringen Sie die Klebeflächenstopper wieder in ihre ursprüngliche geschlossene Position und schließen Sie die vordere Abdeckung. Da jetzt die beiden oberen Schlüsselloch-Befestigungspunkte deutlich sichtbar sind, können Sie das Gerät nun als Schablone verwenden. Legen Sie eine Wasserwaage auf die obere Kante des Gerätes, um sicherzustellen, dass es eben ist und markieren Sie dann die beiden Befestigungspunkte auf der Montage-Oberfläche.

Abbildung 3 - Markierung der Befestigungspunkte (Klebefläche & obere LED-Röhre wurden entfernt)



Bohren Sie die zuvor markierten oberen beiden Löcher mit einem Steinbohrer mit ca. 8mm Durchmesser ungefähr 40mm tief. Befestigen Sie jetzt die beigefügten Dübel und Schrauben und lassen Sie ungefähr 10mm der Schrauben abstehen. Sollte die Wand jedoch aus Leichtbaumaterial erstellt sein, empfehlen wir das gleiche Vorgehen für die unteren beiden Löcher, sowie die Verwendung passender Fixierungen, um das Gerät sicher in der gewünschten Position zu halten.

Das Gerät kann auf diesen Schrauben aufgehängt werden. Sie müssen nun die Schrauben vollständig anziehen, damit das Gerät ordnungsgemäß an der Wand befestigt werden kann. Stellen Sie hierbei sicher, dass die Schraubenköpfe das Einsetzen bzw. den Wechsel der Klebefläche nicht beeinträchtigen.

Sie können nun LED-Röhre und Klebefläche wieder einsetzen, die Montage ist das gegenteilige Verfahren zur Demontage (VORSICHT! Lesen Sie auch den Abschnitt „RÖHRENWECHSEL“ um sicherzustellen, dass die LED-Röhre richtig montiert ist). Sichern Sie das Netzkabel an der Wand oder einer anderen festen Oberfläche, bevor der Anschluss an die Stromversorgung erfolgt.

REINIGUNG & WARTUNG

Schalten Sie das Gerät vor Wartungsarbeiten oder zur Reinigung grundsätzlich ab. Um das attraktive Erscheinungsbild der Geräte zu erhalten, sollten sie so oft wie nötig gereinigt bzw. abgewischt werden. Verwenden Sie dazu ein angefeuchtetes Tuch mit etwas Haushaltsreiniger. Benutzen Sie keine Kratzschwämme oder ähnliche Scheuermittel. Die Quantum X LED-Röhren im Chameleon Qualis sollten mindestens alle 3 Jahre gewechselt werden. Es wird empfohlen, das Installationsdatum für zukünftige Referenzen zu erfassen, hierzu befindet sich ein Aufkleber an der Seite des Gerätes.

Die Quantum X LED-Röhren bestehen zwar aus Glas, haben aber eine Bruchschutzmantelung, die den Austritt von Splittern bei Glasbruch verhindert und sind somit für den Einsatz in glasfreien Zonen geeignet. Diese sog. FEP-Beschichtung ist von marktführender Qualität und temperaturbeständig, wobei sie zudem eine hohe UV-Lichtdurchlässigkeit aufweist.

KLEBEFLÄCHENWECHSEL

Verwenden Sie nur die originalen PestWest Klebeflächen 135-000226 (LED 21" KLEBEFLÄCHE), da diese speziell für die PestWest LED-Geräte entwickelt wurden, um eine optimale Fängigkeit zu gewährleisten. Schalten Sie das Gerät vor Wartungsarbeiten grundsätzlich ab. Wechseln Sie die Klebefläche, wenn sie voll ist oder mindestens alle 6-8 Wochen. Wir empfehlen eine regelmäßige Sichtkontrolle der Klebeflächen, da sie bei normalem Betrieb nicht sichtbar sind.

Öffnen Sie zunächst die vordere Abdeckung, indem Sie diese von unten nach außen heben (Hinweis: wenn die Abdeckung ca. 45° geöffnet wird, bleibt sie von selbst geöffnet). Öffnen Sie als Nächstes die beiden „Klebeflächenstopper“ am unteren Rand des Gerätes und ziehen die alte Klebefläche nach unten hinaus.

Die Klebefläche hat eine Perforationslinie (ca. 30 mm oberhalb der unteren Kante). Die Klebefläche muss entlang dieser Linie in einem 90° Winkel gefalten werden, bevor Sie das Schutzpapier entfernen. Dieser gefaltete Teil dient dazu, alle Insektenpartikel aufzufangen, die sich eventuell vom oberen Teil der Klebefläche lösen und herabfallen können.

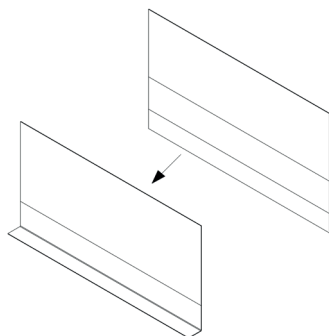


Abbildung 4 - Falten der Klebefläche

Schieben Sie die Klebefläche nun in die Führungen, wobei sicherzustellen ist, dass die klebrige Seite zu den LED-Röhren gerichtet ist. Überprüfen Sie weiterhin, dass die Klebefläche in den Clips am oberen Ende einrastet. Schließen Sie jetzt die Klebeflächenstopper und die vordere Abdeckung. Das Gerät kann nun wieder eingeschaltet werden.

ZUBEHÖR

Klebeflächentyp: 135-000226 (LED 21" KLEBEFLÄCHE)

Röhrentyp: 130-000321 (Quantum X LED, 370nm, 550mm, T5, bruchgeschützt)

Um eine sichere Anwendung und optimale Leistung zu gewährleisten, nutzen Sie bitte nur die oben genannten originalen Zubehörteile von PestWest.

RÖHRENWECHSEL

Schalten Sie die Geräte immer vor jeglichen Wartungsarbeiten aus. Es ist zu beachten, dass LED-Röhren wesentlich sensibler als UV-Röhren sind, d.h. dass das Nicht-Trennen des Geräts vom Strom beim Entfernen oder Einsetzen einer Röhre die LED-Filamente dauerhaft beschädigen kann, wodurch dann die LED-Röhre insgesamt irreparabel beschädigt wird.



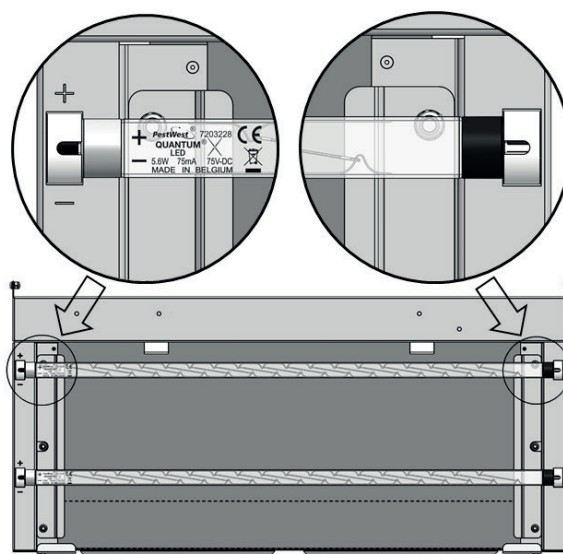
Schalten Sie die Stromversorgung des Gerätes aus, bevor Sie mit jeglichen Arbeiten beginnen. Öffnen Sie zunächst die vordere Abdeckung, indem Sie diese von unten nach außen heben (Hinweis: wenn die Abdeckung ca. 45° geöffnet wird, bleibt sie von selbst geöffnet). Drehen Sie jede der LED-Röhren um 90°, bis 2 Klicks zu hören sind. Die LED-Röhren können dann durch Herausschieben aus den Lampenhaltern entnommen werden.

ACHTUNG – Quantum X LED-Röhren werden mittels Gleichstrom (D.C. = Direct Current), d.h. nur an einem Ende angetrieben. Dieses Ende ist anhand der silbernen Endkappe und dem Aufdruck auf der linken Seite leicht zu erkennen, siehe nachfolgende Abbildung. Das korrekte Einsetzen der LED-Lampenstifte erfordert die richtige Polarität: positiv (+) und negativ (-). Bitte beachten Sie, dass die richtige Polarität mit einem + & - Symbol auf der Quantum X LED-Röhre gekennzeichnet ist, sodass Sie die LED-Lampenstifte der nachfolgenden Abbildung entsprechend einsetzen können.

Das Einsetzen neuer LED-Röhren ist das gegenteilige Verfahren des Entfernens. Schließen Sie jetzt die vordere Abdeckung. Das Gerät kann nun wieder eingeschaltet werden.

ABBILDUNG 5 - EINBAU DER LED-RÖHREN IN DER RICHTIGEN POLARITÄT UND AUSRICHTUNG

- Stellen Sie beim Einsetzen stets sicher, dass die aufgedruckten + & - Symbole neben der silbernen Endkappe der LED-Röhre entsprechend der + & - Symbole innerhalb des Gerätegehäuses ausgerichtet werden. Die silberne Endkappe gehört auf die linke Seite.
- Die Lampenstifte neben der schwarzen Endkappe sollten in die rechte Seite der Lampenhalter eingesteckt werden.
- Die LED-Röhren funktionieren in keiner anderen Konfiguration.
- Dieses Gerät kann ausschließlich mit Quantum X LED 370nm 550mm T5 Röhren betrieben werden.



Der Hersteller behält sich das Recht vor, die Modellspezifikationen ohne vorherige Ankündigung zu ändern.

GARANTIE

Alle PestWest® Geräte haben eine 3-jährige Garantie (ausgenommen Zubehör).

ISTRUZIONI PER L'USO E LA MANUTENZIONE

PRECAUZIONI

Tutte le trappole PestWest® sono completamente isolate, apparecchi di classe 1, tuttavia devono essere osservate precauzioni di buon senso:

- **Spegnere la macchina prima della manutenzione o della pulizia.**
- **Tenere fuori dalla portata dei bambini.**
- **Le lampade LED Quantum® X producono luce ultravioletta nella regione UV-A a lunghezza d'onda di 370 nm, che può essere dannosa per la pelle e gli occhi, evitare prolungata esposizione nelle immediate vicinanze.**
- **Non installare dove sono presenti concentrazioni pericolose di gas o polveri infiammabili.**
- **Assicurarsi che l'unità sia adeguatamente collegata a terra.**
- **Chameleon Qualis può essere utilizzata da persone con ridotte capacità fisiche, sensoriali o capacità mentali o mancanza di esperienza e conoscenza se sono state date supervisione o istruzioni sull'uso sicuro di Chameleon® Qualis e comprensione dei pericoli connessi.**
- **Se il cavo di alimentazione è danneggiato, deve essere sostituito dal produttore, il suo agente di servizio o persone similmente qualificate per evitare un pericolo.**
- **Garantire che gli operatori dispongano di una piattaforma di lavoro adeguata e sicura, quando lavorano sulle macchine.**
- **Non lasciare che la piastra collante si riempia eccessivamente di insetti morti. Cambiare ad intervalli regolari come richiesto dalla cattura o almeno ogni 6-8 settimane. Garantire che per la sostituzione si usino piastre collanti PestWest®.**
- **Chameleon® Qualis è progettata esclusivamente per uso interno.**
- **Non adatto per l'uso in stalle, fienili e luoghi simili.**
- **Per mantenere l'aspetto gradevole delle unità, pulire con la frequenza necessaria. Utilizzare un panno inumidito con acqua e detersivo o un prodotto specifico. Non utilizzare spugne o abrasivi.**

DESCRIZIONE DEL PRODOTTO

Tutte le trappole PestWest sono realizzate con materiali di altissima qualità. Chameleon Qualis è disponibile con finitura verniciata a polvere di poliestere su un telaio in Zintec (resistente alla ruggine) oppure con finitura in acciaio inossidabile spazzolato 304. Chameleon Qualis utilizza la piastra collante PestWest full-size ed è dotata di lampade LED Quantum X a filamento, di nuova generazione, con una lunghezza d'onda di picco di 370 nm rivestite con rivestimento infrangibile FEP di serie.

La nuova lampada LED Quantum X a filamento è realizzata con la conosciuta forma T5 (tubo di vetro, tappi terminali e perni) utilizzato nelle nostre lampade fluorescenti Quantum T5 da 14W convenzionali.

I principali vantaggi della tecnologia della lampada LED Quantum X a filamento sono la prolungata distribuzione della luce e la migliore efficienza energetica. L'aumento dell'attrazione della mosca è in parte dovuto alla distribuzione della luce dei filamenti LED, che è di circa 360° rispetto ai soli 120° tipici dei LED SMD (Surface Mounted Device) ad alta potenza presenti nella precedente generazione di Trappole a LED per insetti. I filamenti LED sono anche più efficienti dal punto di vista energetico di entrambi i LED UV-A SMD ad alta potenza e anche delle lampade fluorescenti convenzionali.

La lampada LED Quantum X a filamento è composta da 18 filamenti LED singoli montati su un telaio e sigillati ermeticamente all'interno di un tubo di vetro con un sistema di raffreddamento a gas all'avanguardia, che è di gran lunga superiore ai tradizionali dissipatori di calore in metallo.

Ogni filamento LED ha 24 LED individuali montati su un substrato trasparente, che consente al Quantum LED X di fornire luce in tutte le direzioni. La combinazione della distribuzione della luce a 360° e dell'intensità della luce più morbida prodotta da molti più LED (432 per lampada) offre al Quantum X prestazioni di cattura delle mosche superiori.

TECHNICAL SPECIFICATION

Voltaggio	220-240V
Frequenza	50-60Hz
Consumo	13.5W
Protezione di Ingresso IP	20
Classificazione	Classe 1
Temperature dell'ambiente circostante	0 to +40°C
Tipo del LED driver	Corrente Costante
Area di copertura	90m ²
Piastra collante	135-000226 LED 21" Piastra collante
Tipo di lampada LED	130-000321 Quantum X LED 370nm 550mm T5 infrangibile
Metodo di montaggio	montaggio a parete
Dimensioni dell'apparecchio	A300xL575xP40 mm
Peso	3.1 kg

DISIMBALLAGGIO DELL'UNITÀ

Ogni unità viene accuratamente ispezionata e imballata prima di lasciare la nostra fabbrica. Prima di eliminare il cartone esterno, esaminarlo per eventuali prove evidenti di danni causati dal trasporto. Rimuovere l'unità e prestare attenzione alla rimozione di tutti i materiali di imballaggio, prima di installare l'unità.

MODALITÀ DI FUNZIONAMENTO

Le trappole elettriche funzionano in base al principio che la maggior parte degli insetti volanti è attratta dalla luce, in particolare dall'ultravioletto (UV) fine dello spettro luminoso. Poiché gli insetti sono ancora attivi e volano di notte, le trappole dovrebbero essere lasciate in funzione 24 ore su 24.

UBICAZIONE

L'efficienza dell'unità può essere influenzata dall'intensità di altre sorgenti luminose, ad esempio: luce diurna. Pertanto, montare l'unità dove la concorrenza di altre fonti è ridotta al minimo.

Nelle aree con presenza di cibo, montare vicino, ma non direttamente sopra, al cibo esposto o alle superfici di preparazione (preferibilmente per allontanare le mosche dalle aree sensibili piuttosto che attrarle verso di esse).

Osservare dove tendono a radunarsi le mosche e, se possibile, collocare la trappola in o vicino a quell'area.

Collocare le unità vicino ai possibili punti di accesso delle mosche, ad esempio: porte e finestre che si aprono verso l'esterno, in particolare le aree delle pattumiere.

Posizionare la trappola dove può essere facilmente raggiunta; non sopra macchine da lavoro dove l'accesso può essere difficile o pericoloso.

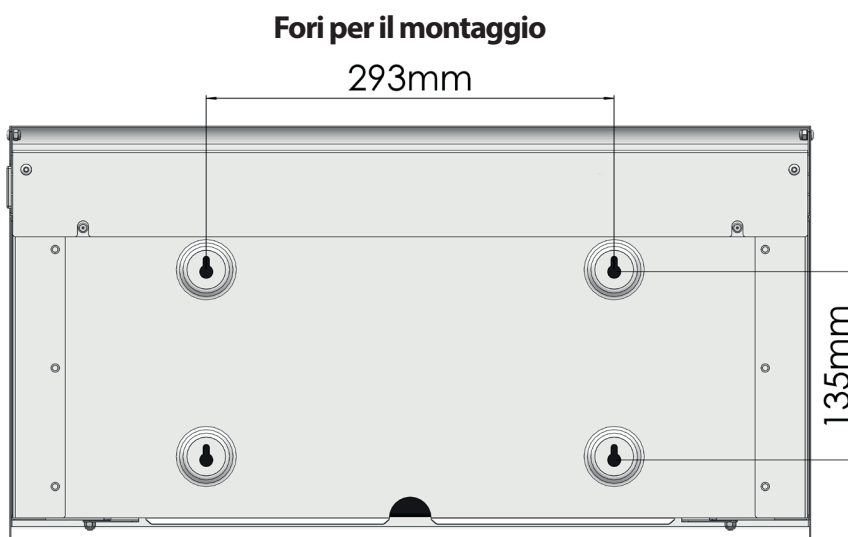
FORNITURA ELETTRICA

Le unità sono fornite con un cavo di ingresso rimovibile di 2 metri, terminato in un connettore per adattarsi all'elettricità della fornitura locale. Le unità funzionano con alimentazione 220-240V 50-60Hz. Se è necessario prolungare il cavo di ingresso, deve farlo un esperto elettricista. In caso di rimozione di una spina sagomata dal cavo in dotazione, questo deve essere smaltito in sicurezza. Assicurarsi che, una volta installato, il cavo di alimentazione sia adeguatamente fissato.

INSTALLAZIONE

Chameleon Qualis è progettata per essere montata a parete. L'unità ha quattro fori nel pannello posteriore per montare facilmente l'unità sulla parete.

Figura 1 - Posizione dei fori di montaggio

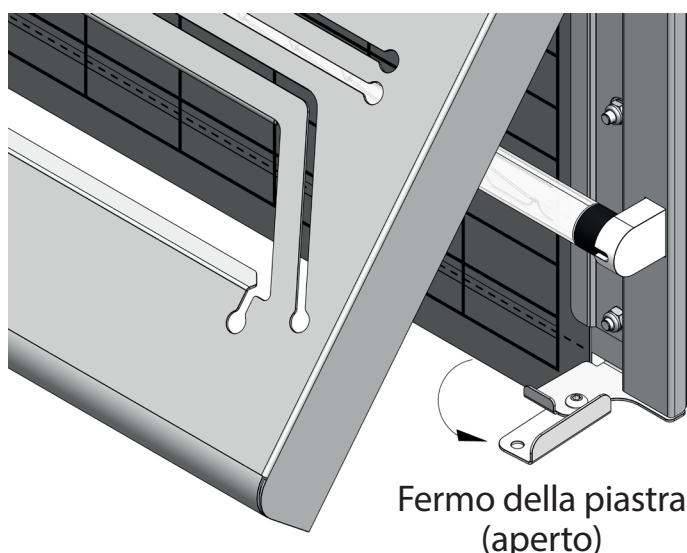


Per ridurre l'esposizione alla luce UV della pelle e in particolare degli occhi, PestWest consiglia di montare l'unità a 1,8 m dal pavimento (misurato dal bordo inferiore dell'unità). Evitare inoltre di montare l'unità nelle immediate vicinanze (meno di 1m) da un'area in cui le persone lavorano per lunghi periodi.

L'unità può essere montata a parete utilizzando solo i due punti di fissaggio superiori. Tuttavia, se la parete è di cartongesso, una parete divisoria ecc, si consiglia di utilizzare tutti e quattro i punti di montaggio e idonei fissaggi per cartongesso per garantire l'unità sia montata saldamente.

Per montare l'unità sulla parete, aprire prima il coperchio anteriore sollevandolo dal basso verso l'esterno (Nota: quando il coperchio è aperto di circa 45°, rimarrà aperto da solo). Quindi, aprire le due linguette di fermo della piastra nella parte inferiore dell'unità ruotando verso l'esterno come mostrato di seguito.

Figura 2 - Fermi della piastra

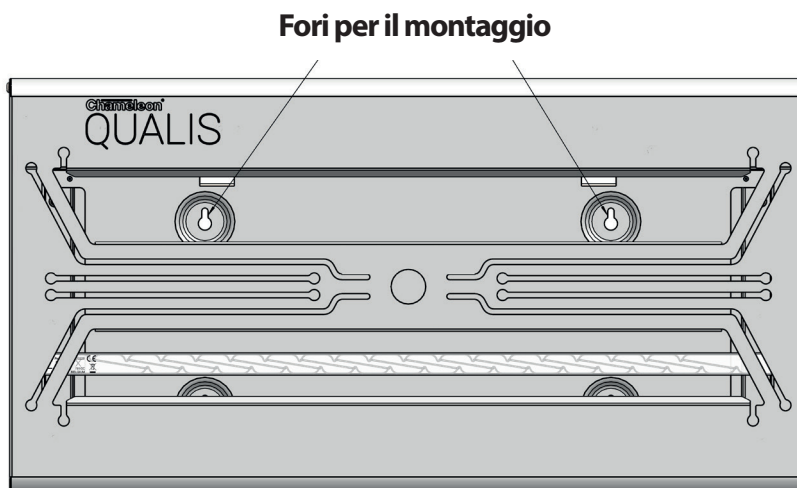


Ciò consentirà di rimuovere il cartoncino adesivo dall'unità semplicemente tirandolo verso il basso.

Ora rimuovere la lampada LED superiore semplicemente afferrandola e ruotando la lampada di 90° fino a sentire 2 clic. La lampada a LED può ora essere estratta facendola scorrere fuori dai portalampada.

Ripiegare le linguette di fermo della piastra nella posizione di chiusura originale e chiudere il coperchio anteriore. Guardando la parte anteriore dell'unità ora è possibile vedere chiaramente i due punti di montaggio superiori del buco della serratura. È ora possibile utilizzare l'unità come modello, posizionare la livella lungo il bordo superiore dell'unità per assicurarsi che sia a livello e quindi segnare i due punti di fissaggio sulla superficie dove si vuole montare.

Figura 3 – Marcatura dei punti di fissaggio (scheda adesiva e lampada LED superiore rimossa)



Forare i punti contrassegnati a una profondità di 40 mm utilizzando un trapano n. 8. Posizionare i tasselli di plastica nel muro, quindi avvitare i tasselli in plastica lasciando la testa della vite a circa 10 mm dalla parete. Se il muro fosse cartongesso, parete divisoria ecc, si consiglia di ripetere la procedura sopra descritta con i due punti di fissaggio inferiori.

L'unità ora si aggancia alle viti grazie ai fori per il montaggio. Ora occorre stringere completamente le viti in modo che l'unità sia adeguatamente fissata alla parete e assicurarsi che le teste delle viti non impediscano il montaggio della piastra collante. Ora è possibile reinstallare la lampada a LED (ATTENZIONE! Fare riferimento alla sezione "SOSTITUZIONE DELLE LAMPADE A LED" per assicurarsi che la lampada a LED sia montato correttamente) e il cartoncino adesivo, che è la procedura opposta alla rimozione. Fissare il cavo di alimentazione alla parete o una superficie stabile prima del collegamento alla corrente.

PULIZIA E MANUTENZIONE

Per mantenere l'aspetto gradevole delle unità, pulire tutte le volte che è necessario. Fare manutenzione sempre a macchina spenta. Utilizzare un panno inumidito con acqua e detersivo o un detergente appropriato. Non utilizzare abrasivi. Le lampade a LED Quantum X nella Chameleon Qualis dovrebbero essere cambiate almeno una volta ogni 3 anni. Si consiglia di registrare la data di installazione per riferimento futuro; è presente un'etichetta sul lato dell'unità per questo scopo.

La lampada a LED Quantum X è realizzata in vetro e ha un rivestimento infrangibile per consentire l'uso nelle zone ad esclusione del vetro. Questo rivestimento infrangibile è della più alta qualità disponibile: utilizza il FEP che è resistente sia ai raggi UV sia alle temperature dell'ambiente circostante mantenendo la massima emissione della luce UV.

RINNOVARE LA PIASTRA COLLANTE

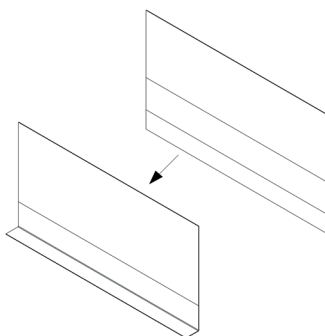
Installa sempre le piastre collanti PestWest® LED 21" per garantire la massima efficienza e prestazioni della Chameleon Qualis. La piastra collante LED da 21" è stata sviluppata in combinazione con le lampade LED PestWest Quantum X per fornire le prestazioni più efficaci possibili. L'utilizzo di qualsiasi altra piastra collante avrà un impatto negativo sulle prestazioni della trappola. Spegnerla la macchina prima della manutenzione. Le piastre collanti dovrebbero essere cambiate quando sono piene o almeno ogni 6-8 settimane.

Si consigliano ispezioni regolari delle piastre collanti, poiché non sono completamente visibili durante il normale funzionamento. Garantire che per le sostituzioni vengano utilizzate le piastre collanti PestWest.

Aprire il coperchio anteriore sollevandolo dal basso verso l'esterno (Nota: quando il coperchio è aperto di circa 45°, resta aperto da solo). Per rimuovere la piastra collante, devi prima ruotare le linguette di fissaggio nella parte inferiore dell'unità verso l'esterno. Ciò consentirà di rimuovere la vecchia piastra dall'unità semplicemente tirando la piastra collante verso il basso.

Il cartoncino ha una linea di perforazione a circa 30 mm dal bordo che consente a questa piccola sezione del cartoncino di essere piegato con un angolo di 90°. Questa sezione piegata della tavola aiuterà a catturare eventuali detriti che cadono dalla parte superiore della piastra collante. Prima di rimuovere la carta di supporto, è necessario piegare questa sezione e quindi rimuovere la carta di supporto dalla nuova piastra collante.

Figura 4 – Piegare il cartoncino in posizione



Far scorrere la piastra collante in posizione nella macchina, con il lato adesivo rivolto verso le lampade LED UV, assicurandosi che faccia lo scatto quando in posizione nei fermi a molla nella parte superiore della macchina. Ripiegare le linguette di fermo della piastra nella loro posizione originale chiusa in modo che tengano in posizione la sezione piegata della piastra collante e chiudano il coperchio anteriore. Ora puoi riaccendere la trappola.

PARTI DI RICAMBIO

135-000226 (PIASTRA COLLANTE LED 21" - PK6)

Per garantire un utilizzo sicuro e prestazioni ottimali, montare solo le parti originali sopra indicate.

SOSTITUZIONE DELLE LAMPADE LED



Spegnere la macchina prima della manutenzione. Va notato che le lampade a LED non sono come quelle fluorescenti, quindi è probabile che il mancato scollegamento dell'unità dall'alimentazione quando si rimuovono o inseriscono nuovi tubi possa danneggiare permanentemente i LED. Ciò provocherà il danneggiamento irreparabile della lampada a LED.



Spegnere la macchina prima della manutenzione. Aprire il coperchio anteriore sollevandolo dal basso verso l'esterno (Nota: quando il coperchio è aperto di circa 45°, rimarrà aperto da solo). Afferrare e ruotare ogni lampada LED di 90° fino a quando i 2 clic non scattano. Le lampade a LED possono quindi essere estratte facendole scorrere fuori dai portalampe.

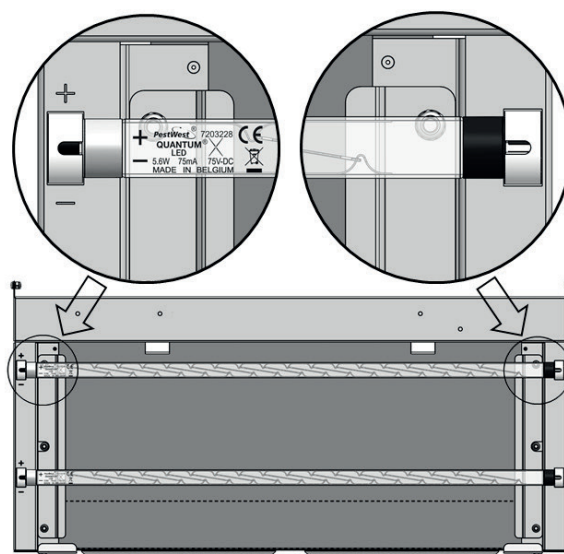
ATTENZIONE – Le lampade a LED Quantum X sono alimentate da corrente continua (D.C.) solo a una sola estremità del tubo, che si riconosce dal cappuccio terminale argenteo e dalla stampa sul lato sinistro (LHS), vedere la figura 5. I perni di ingresso CC (LHS) richiedono di essere inseriti nella la corretta polarità, positivo (+) e negativo (-). Si prega di notare che la polarità corretta è contrassegnata da un simbolo + e - sulla lampada LED Quantum X (etichetta LHS) ed i corrispondenti perni della lampada LED devono essere montati sul corrispondente + e - nel telaio, posti sul lato sinistro della trappola, vicino ai portalampe, vedere figura 5.

La sostituzione delle lampade a LED è la procedura opposta alla rimozione. Chiudere il coperchio anteriore e riaccendere l'unità.

Figura 5 – Montaggio delle lampade a LED nella corretta polarità ed orientamento

- Quando si montano le lampade a LED assicurarsi che il cappuccio terminale argenteo sia inserito nei portalampe del lato sinistro (LHS), con i simboli + e - correttamente allineati.
- Il cappuccio terminale nero senza tensione deve essere inserito nei portalampe del lato destro (RHS).
- Le lampade a LED non funzioneranno in nessun'altra configurazione.
- L'unità funziona solo con lampade Quantum X LED 370nm 550mm T5.

Il produttore si riserva il diritto di variare le specifiche del modello senza preavviso



GARANZIA

Tutte le unità PestWest sono fornite con una garanzia di 3 anni (escluse lampade a LED e piastre collanti).

**BRUKSANVISNING, UNDERHÅLL OCH
FÖRSIKTIGHETSÅTGÄRDER**

Alla PestWest®-fällor är helt isolerade, klass 1-utförda, men ändå bör försiktighetsåtgärder följas:

- **Stäng av maskinen före rengöring eller service.**
- **Håll utom räckhåll för barn.**
- **Lysrören Quantum X LED producerar ett ultraviolett ljus i 370nm våglängd, som kan vara skadligt för hud och ögon. Undvik långvarig exponering på nära avstånd.**
- **Installera ej enheten där brandfarliga gaser eller damm förekommer.**
- **Se till så att enheten är jordad.**
- **Vid skadad nät-kabel, måste den ersättas av producent, leverantör eller kvalificerad person för att undvika olyckor.**
- **Försäkra att operatörer har adekvat och säker arbetsmiljö vid arbete med maskinerna.**
- **Tillåt inte limskivorna att bli överfyllda med döda insekter. Byt limskiva utefter aktivitet men åtminstone var 6-8e vecka. Använd endast PestWest limskiva.**
- **Chameleon Qualis är designad för endast inomhusbruk.**
- **Passar ej i lador, stall eller liknande miljöer.**
- **Torka av enheten med vatten eller rengöringsmedel för att hålla enheten effektiv. Använd ej skursvamp.**

PRODUKTBESKRIVNING

Alla PestWest ljusfällor är gjorda utav material av högsta kvalitet. Chameleon Qualis har antingen en pulverlackerad yta utav polyester på ett zinkchassi (rostbeständigt), eller ett chassi utav borstad rostfri stål. Chameleon Qualis använder sig utav PestWest standard limskiva och är utrustad med den nya generationens splitterskyddade Quantum X LED lysrör med en våglängd på 370nm.

Den huvudsakliga fördelen med Quantum X LED lysrör är den ökade ljusdistributionen i lysrören samt dess energieffektivitet. Lysrören har en ökad attraktion delvis tack vare LED-trådens ljusdistribution som sprider ljuset 360° till skillnad från standard 120°. LED-trådarna är också mer energieffektiva än UV-A LED och andra konventionella ljusfällor.

Quantum X LED lysrör består av 18 individuella LED-trådar med gastät förslutning inuti ett glaströr med ett speciellt gas-kylningssystem.

Varje LED-tråd har 24 LED-lampor som är monterade på ett transparent fäste, vilket gör det möjligt för LED-lamporna att lysa i alla riktningar. Kombinationen av en 360° ljusspridning och en mjukare ljusstyrka, med fler lampor, gör Quantum X otroligt effektiv mot flygande insekter.

TEKNISK DATA

Spänning	220-240V
Frekvens	50-60Hz
Energiförbrukning	13.5W
IP-Klassning	20
IP-Klassning	Klass 1
Omgivningstemperatur	0 till +40°C
LED-typ	Konstant flöde
Täckningsarea	90m ²
Limskiva	135-000226 LED 21" LIMSKIVA
LED-typ	130-000321 Quantum X LED 370nm 550mm T5 Splitterskyddade
Montering	Väggmontering
Dimensioner	H300 x B575 x D40
Vikt	3.1 kg

PACKA UPP DIN ENHET

Varje enhet är noggrant och försiktigt inspekterade och packeterade innan de lämnar fabrik. Se till så att där inte är några synliga transportskador på ytterförpackningen innan ni avlägsnar den.

DRIFTLÄGE

Elektriska ljusfällors funktion bygger på principen att de flesta insekter attraheras till ljus, speciellt ultraviolet. Då insekter även är aktiva på natten, bör fällor vara igång 24 timmar om dygnet.

PLACERING

Effektiviteten av ljusfällan påverkas av konkurrensen utav andra ljuskällor i omgivningen, det är därför viktigt att montera fällan där det är så lite konkurrerande ljus som möjligt.

I lokaler där mathantering förekommer, montera nära men ej direkt över mat eller ytor där mat förbereds. Observera var det förekommer mest flugaktivitet och montera fällan så nära det området det går.

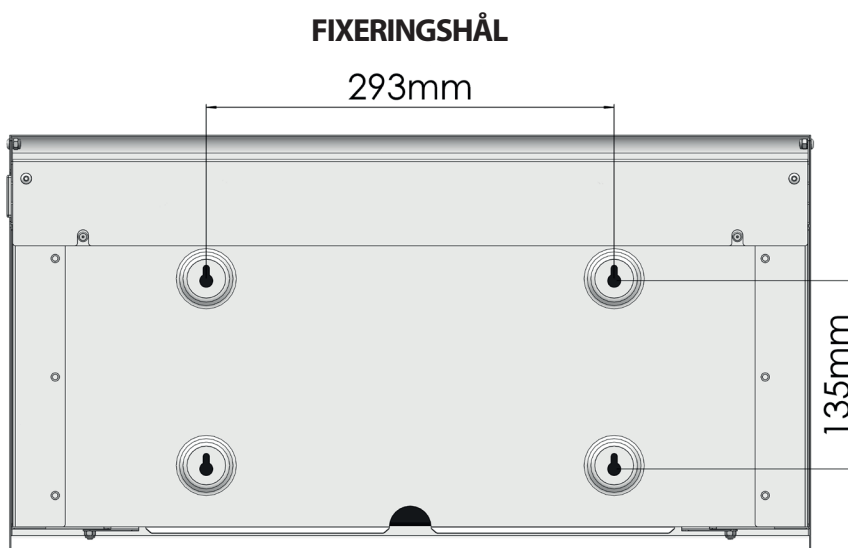
STRÖMFÖRSÖRJNING

Enheterna kommer med en 2 meter strömkabel. Enheterna drivs genom ett 220-240V 50-60Hz aggregat. Se till att enheten är inkopplad på ett säkert sätt.

INSTALLATION

Chameleon Qualis är designad för att väggmonteras. Enheten har fyra fixeringshål i bakre panelen för att enkelt skruva mot vägg.

Figur 1 - Fixeringshål i bakre panel

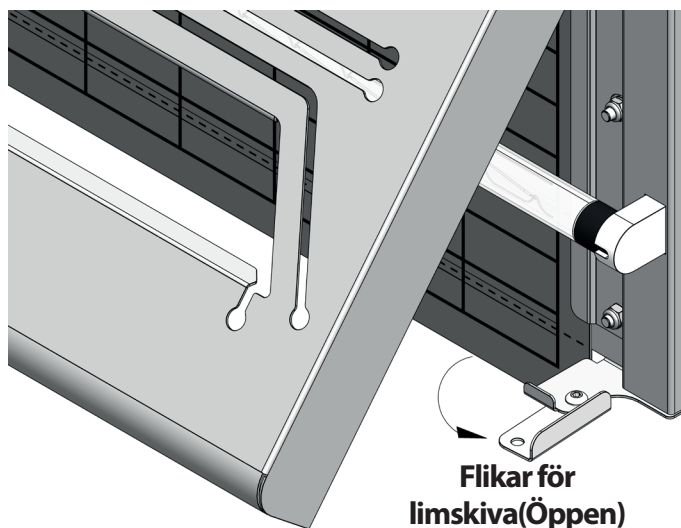


För att minska exponering av UV-ljus mot hud och ögon rekommenderar PestWest att enheten monteras 1.8m från golvet (mätt från enhetens underkant). Undvik även att montera inom en meter av arbetsytor där personer arbetar under längre perioder.

Enheten kan väggmonteras med endast två skruvar, förutsatt att väggen är av starkt virke. Om infästningsmaterialet är av varierande kvalité rekommenderas användning av alla fixeringshål.

Börja med att lossa fronten genom att lyfta utåt från botten (Notera: när framsidan är 45° öppen håller den sig uppe själv). Öppna sedan de två flikarna för limskivan i nedre delen av enheten genom att vrida utåt. Se nedan.

Figur 2 - Flikar för limskiva

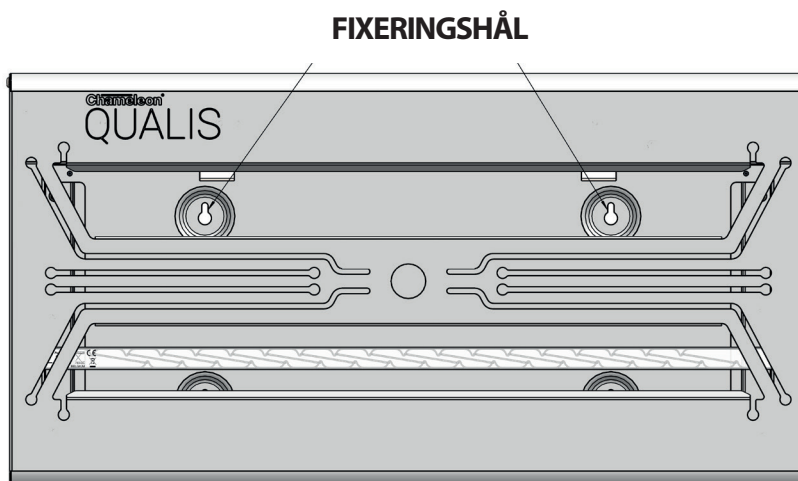


Detta gör det möjligt att ta bort limskivan genom att dra skivan rakt nedåt.

Avlägsna sedan det övre ljusröret genom att rotera lampan 90° tills två klick hörs. LED-lampan kan nu avlägsnas genom att föra det ur fixeringsspåren.

Vik in flikarna för limskivan och stäng sedan framsidan. Rakt framifrån enheten går det nu att tydligt se de två övre fixeringshålen.

Figur 3 - Markering av fixeringshål (Limskiva och övre LED-lampa är avlägsnad)



Borra de förmarkerade punkterna till ett djup av 40mm. applicera plastpluggarna i hålen och fäst skruvarna. Låt huvudet av skruven sticka ut ca 10mm från väggen.

Enheten kan nu monteras genom att hakas fast i skruvarna. Efter den är monterad är det viktigt att spänna skruvarna så att enheten är fast monterad. Nu kan limskivan och LED-lampan återmonteras.

RENGÖRING OCH UNDERHÅLL

Torka och rengör efter behov. Stäng alltid av enheten före underhåll eller rengöring. Använd en blöt tygtrasa eller ett passande rengöringsmedel. Använd ej skursvampar. Quantum X LED lamporna i Chameleon Qualis bör bytas vart 3:e år.

Quantum X LED lamporna är gjorda utav splitterskyddat glas.

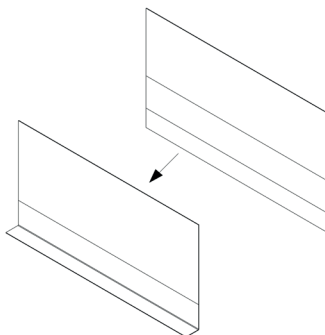
BYTE AV LIMSKIVA

Använd alltid PestWest LED21" limskiva. Användandet av andra limskivor kommer ha en negativ påverkan på enhetens effektivitet och hållbarhet. Stäng av enheten före service. Limskivan ska bytas när den är full eller åtminstone var 6-8e vecka.

Öppna fronten genom att lyfta utåt från botten (Notera: när framsidan är 45° öppen håller den sig uppe själv). Vrid flikarna för limskivan utåt. Dra sedan rakt ner för att avlägsna limskivan.

Limskivan har en perforerad yta 30mm från kanten längst långsidan. Detta gör det möjligt att vika limskivan och hjälper till att fånga insekter som faller ovan ifrån. Vik denna del innan ni avlägsnar den svarta skyddspappen.

Figur 4 - Vik limskivan före placering.



Skjut in limskivan i rätt position med den klistriga sidan riktad mot UV-lamporna. Vik sedan tillbaka flikarna för limskivan och stäng fronten. Ni kan nu sätta på enheten igen.

ERSÄTTNINGSDELAR

LED 21" Limskiva - PK6

För säker drift och effektivitet, använd endast originaldelar.

BYTE AV LYSRÖR

Stäng av enheten före service. Avlägsning av lysrören medans enheten är på kan skada lysrören.

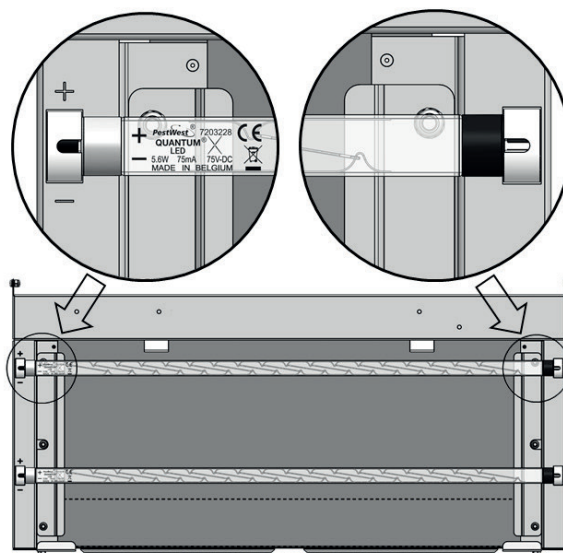


Stäng av enheten. Öppna fronten genom att lyfta utåt från botten (Notera: när framsidan är 45° öppen håller den sig uppe själv). Roter lysrören 90° tills ni hör 2 klick. Dra sedan ut lysrören.

VIKTIGT - Quantum X LED lysrör drivs av likström (D.C.) från en sida. Detta ser ni genom att identifiera det silvriga stiftet samt texten på vänster sida, se figur 5. Det är viktigt att rätt poler monteras på rätt sida. De korrekta polerna är märkta med en + & - symbol på lysröret. Sidan med det silvriga stiftet måste monteras så den motsvarar + & - på armaturen.

Byte av lysrör görs genom att göra motsvarande procedur som vid avlägsning. Stäng fronten och sätt på enheten.

Figur 5 - Montering av lysrör mot rätt poler.

**GARANTI**

Alla enheter från PestWest kommer med en 3-års garanti (gäller ej på lysrör och limskivor).

INSTRUKCJA OBSŁUGI I KONSERWACJI**ŚRODKI OSTROŻNOŚCI**

Wszystkie lampy PestWest® są w pełni izolowane (Urządzenia klasy I), mimo tego należy zachować podstawowe środki ostrożności:

- **Wyłączyć urządzenie przed serwisowaniem lub czyszczeniem.**
- **Trzymać poza zasięgiem dzieci.**
- **W lampie Qualis® X stosowanie są świetlówki LED emitujące promieniowanie ultrafioletowe o długości około 370nm, które może być szkodliwe dla skóry i oczu. Unikać dłuższego przebywania w bliskiej odległości od lampy.**
- **Nie instalować tam, gdzie istnieje niebezpieczeństwo gromadzenia się pyłów, gazów wybuchowych.**
- **Upewnić się czy urządzenie jest właściwie uziemione.**
- **Urządzenie Chameleon Qualis X może być użytkowane przez osoby o zaburzeniach fizycznych, emocjonalnych i umysłowych, nie mające doświadczenia i nie znające produktu, pod warunkiem, że odbywa się to pod nadzorem lub otrzymali oni instrukcje dotyczące posługiwania się urządzeniem i są oni świadomi możliwych zagrożeń.**
- **Jeśli przewód zasilania jest uszkodzony, powinien być wymieniony przez producenta, autoryzowany serwis lub osobę posiadającą odpowiednie kwalifikacje, aby uniknąć zagrożenia bezpieczeństwa.**
- **Upewnić się, czy operator ma właściwe i bezpieczne miejsce pracy, w czasie działań przy lampie.**
- **Nie dopuszczać do całkowitego zapełnienia powierzchni lepnej martwymi owadami. W regularnych odstępach czasu, w zależności od ilości wyłapywanych owadów, wymieniać lepy, jednak nie rzadziej niż co 8 tygodni. Upewnić się, że zostały wymienione na właściwe lepy PestWest.**
- **Lampa Chameleon® Qualis jest przeznaczona tylko do użytku w pomieszczeniach.**
- **Urządzenie nie jest przeznaczone do stosowania w stodołach, stajniach i podobnych obiektach.**
- **Aby zapewnić właściwy wygląd lampy należy ją czyścić tak często jak to jest konieczne. Używać ściereczki nasączonej wodą z detergentem lub specjalistycznym środkiem czyszczącym. Nie używać do czyszczenia agresywnych środków czyszczących i materiałów ściernych.**

OPIS PRODUKTU

Wszystkie lampy owadobójcze PestWest wykonane są z materiałów najwyższej jakości. Lampa Chameleon Qualis X jest wykonana z ocynkowanej odpornej na korozję blachy stalowej pokrytej poliestrem, i jest również dostępna w wersji ze stali nierdzewnej typu 304. W lampie jest wykorzystany pełnowymiarowy lep PestWest oraz świetlówki nowej generacji Quantum X LED Filament o długości fali 370nm. Świetlówki są zabezpieczone specjalną folią ochronną FEP.

Świetlówki nowej generacji Quantum X LED Filament mają podobną konstrukcję (rurka szklana, trzonki z bolcami) jak nasze konwencjonalne świetlówki Quantum typu 14WT5.

Głównymi zaletami technologii świetlówek Quantum X LED Filament są: poszerzony zakres rozkładu światła oraz większa energooszczędność. Świetlówki LED Filament są bardziej atrakcyjne dla owadów niż świetlówki LED wykorzystywane w starszych lampach pierwszej generacji. Związane jest to z lepszą emisją światła przez świetlówki LED Filament, która wynosi 360° w porównaniu z tylko 120° świetlówek urządzeń elektrycznych do montażu powierzchniowego (SMD). Świetlówki LED Filament są również bardziej energooszczędne niż świetlówki UV-A LED typu SMD i tradycyjne świetlówki fluorescencyjne.

Świetlówka Quantum X LED składa się z 18 odrębnych filamentów LED zamocowanych na ramie i hermetycznie zamkniętych w szklanej rurce z nowoczesnym systemem schładzania gazu, który jest zdecydowanie bardziej efektywny niż tradycyjny system.

Każdy filament LED posiada 24 diody LED, które są umocowane na przezroczystym podłożu, dzięki czemu świetlówka Quantum X LED emituje światło we wszystkich kierunkach. Połączenie emisji światła 360° z łagodniejszym natężeniem światła emitowanym przez zdecydowanie więcej diod LED (432 w każdej świetlówce) sprawia, że świetlówka Quantum X doskonale wabi owady.

DANE TECHNICZNE

Napięcie	220-240V
Częstotliwość	50-60Hz
Pobór mocy	13.5W
Stopień ochrony IP	20
Klasa produktu	Klasa 1
Temperatura otoczenia	0 do +40°C
Typ sterownika LED	Prąd stały
Obszar pokrycia	90m ²
Typ lepu	135-000226 WKŁAD LEPOWY 21" LED
Typ świetlówki LED	130-000321 Quantum X LED 370nm 550mm T5 Nierozpryskowa
Sposób mocowania	Ścienny
Wymiary, mm	H300 x W575 x D40
Waga	3.1 kg

ROZPAKOWYWANIE URZĄDZEŃ:

Każda lampa jest dokładnie sprawdzana i pakowana przed opuszczeniem naszej fabryki. Przed rozpakowaniem urządzenia należy obejrzeć opakowanie w celu odszukania ewentualnych uszkodzeń powstałych podczas transportu. Po rozpakowaniu należy się upewnić, czy wszystkie elementy opakowania zostały wyjęte z urządzenia.

SPOSÓB DZIAŁANIA:

Lampy owadobojcze działają głównie wykorzystując funkcje wabiące świetlówek UV – promieniowanie ultrafioletowe – oraz jego spektrum. Efektywność lamp może zostać zaburzona poprzez intensywność innych źródeł światła, szczególnie światła dziennego (zobacz "Umiejscowienie"). Lampy owadobojcze powinny być włączone przez 24 godziny na dobę (w nocy owady są nadal aktywne, natomiast ograniczony jest wpływ innych źródeł światła).

OGOLNE ZASADY UMIEJSCOWIENIA LAMP:

Lampy owadobojcze powinny być umieszczane w taki sposób aby maksymalnie ograniczyć wpływ innych źródeł światła, toteż nie należy umieszczać ich bezpośrednio przy oknach.

W pomieszczeniach, gdzie jest żywność, lampy należy montować blisko, ale nie bezpośrednio nad odkrytą żywnością, najlepiej tak aby odciągać owady od miejsc przygotowywania żywności.

Należy dokładnie obserwować miejsca gromadzenia się owadów i w miarę możliwości umieszczać lampy w tych miejscach lub blisko nich. Lokować lampy w pobliżu źródeł napływu owadów do pomieszczeń – najczęściej są to drzwi i okna, miejsca składowania odpadków i śmieci.

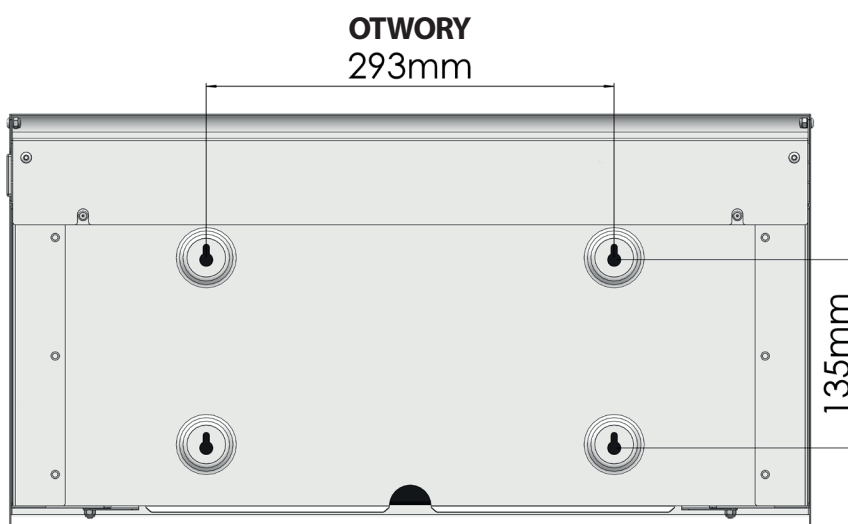
Instalować urządzenia w miejscach łatwo dostępnych (prosta wymiana lamp), gdzie nie ma szlaków komunikacyjnych (np. ruchu wozków widłowych). Miejsca zainstalowania lamp powinny być łatwo dostępne, nie bezpośrednio nad pracującymi maszynami, gdzie dostęp do nich może być utrudniony lub niebezpieczny.

ZASILANIE ELEKTRYCZNE

Lampy wyposażone są w 2 metrowy przewód, na końcu którego znajduje się wtyczka elektryczna. Urządzenia zasilane są napięciem 220-240V 50-60Hz. Jeśli konieczne jest wydłużenie przewodu powinien to zrobić doświadczony elektryk. Jeśli zostanie zdjęta wtyczka z kabla należy zadbać o właściwą jej utylizację. Po instalacji należy odpowiednio zabezpieczyć przewód elektryczny.

INSTALACJA

Lampa Chameleon Qualis jest mocowana na ścianie. Na tylnym panelu urządzenia znajdują się cztery otwory, za pomocą których można łatwo przymocować lampę do ściany.

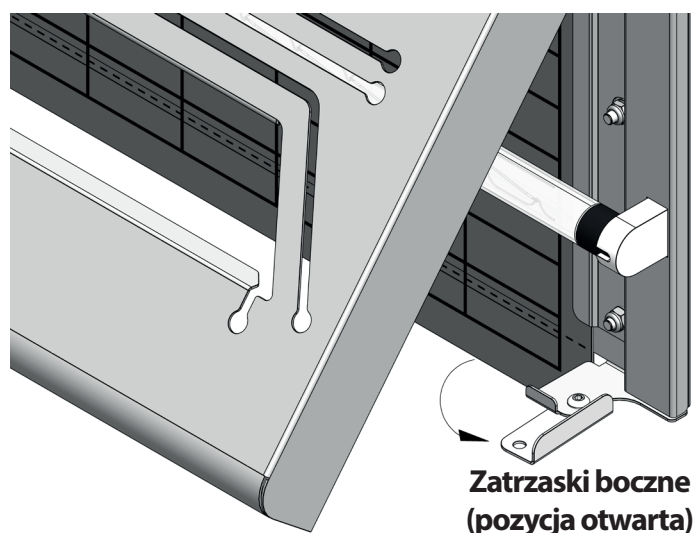
Rysunek 1 - lokalizacja otworów mocujących

W celu ograniczenia narażenia skóry i szczególnie oczu na promieniowanie ultrafioletowe, PestWest zaleca montaż lampy na wysokości 1,8m nad podłogą (mierzone od dolnej krawędzi lampy). Należy również unikać instalacji lampy w bliskiej odległości (mniej niż 1 metr) od miejsc, gdzie przez dłuższy czas znajdują się ludzie.

Lampę można zamontować wykorzystując do tego tylko dwa górne otwory. Jednak jeśli ściana jest wykonana z kartongipsu lub podobnego materiału zalecane jest wykorzystanie wszystkich czterech otworów w celu bezpiecznego montażu.

W celu montażu lampy na ścianie należy najpierw otworzyć panel przedni, podnosząc go od dołu (Uwaga: przy osiągnięciu około 45° panel przedni będzie utrzymywał się w postaci otwartej samoczynnie). Następnie, otworzyć dwa zatrzaski boczne, znajdujące się na dole lampy, otwierając je na zewnątrz, tak jak na rysunku niżej.

Rysunek 2 - Zatrzaski boczne

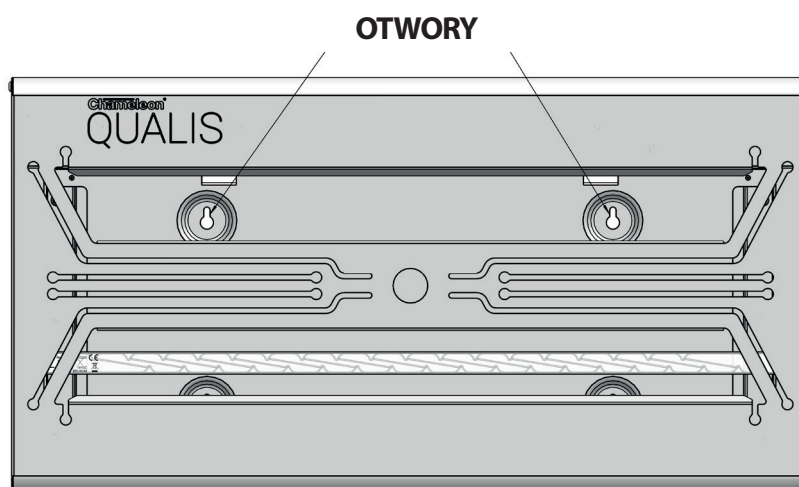


Teraz można wyciągnąć lep z lampy.

Chwycić górną świetlówkę LED i obrócić o 90°. Po usłyszeniu dwóch „kliknięć”, świetlówkę można wyjąć z oprawy.

Zamknąć zatrzaski boczne i panel przedni. Patrząc na lampę z przodu widoczne są dwa górne otwory mocujące. Wykorzystując lampę jako szablon zaznaczyć dwa punkty na ścianie. W celu zapewnienia równego montażu można skorzystać z poziomicy, umieszczając ją na lampie, gdy wykorzystujemy ją jako szablon.

Rysunek 3 - Zaznaczanie punktów mocowania (Lep i górna świetlówka wyjęte z lampy)



W zaznaczonych miejscach wywiercić otwory głębokości około 4cm za pomocą wiertła 8. Umieścić kołki w otworach, następnie wkręcić śruby w taki sposób, aby wystawały one ze ściany na około 10mm. Jeżeli ściana jest z karton gipsu bądź podobnego materiału zalecamy powtórzyć powyższą procedurę z dolnymi otworami mocującymi.

Lampę zawieszamy na śrubach. Następnie dokręcamy śruby zabezpieczając urządzenie na ścianie. Należy się upewnić, że śruby nie przeszkadzają podczas wkładania lepu. Teraz zakładamy z powrotem górną świetlówkę LED (UWAGA! Zapoznać się z działem "WYMIANA ŚWIETŁÓWEK LED" w celu prawidłowej instalacji świetlówek) i lep w sposób odwrotny do procedury ich wyjmowania. Przewód lampy należy przymocować do ściany bądź innej twardej powierzchni zanim urządzenie zostanie podłączone do prądu.

CZYSZCZENIE I KONSERWACJA

Dla osiągnięcia atrakcyjnego wyglądu lamp, należy je czyścić i myć, tak często jak jest to konieczne. Używać ściereczki nasączonej wodą z odpowiednim detergentem. Nie używać do czyszczenia materiałów ściernych.

Świetlówki Quantum X LED w lampach owadobojczych Chameleon Qualis X powinny być wymieniane co najmniej raz na trzy lata, Zalecamy zanotować datę instalacji, w tym celu na lampie znajduje się specjalna naklejka. Stosować tylko nierozpryskowe świetlówki Quantum X LED. Nierozpryskowe świetlówki Quantum X LED stanowią skuteczne zabezpieczenie fragmentów szkła w przypadku uszkodzenia świetlówek, gdyż wykonane są z najwyższej jakości materiałów, wykorzystując materiał FEP, odpornych na promieniowanie UV i temperaturę otoczenia oraz zapewniające doskonałą przepuszczalność światła UVA.

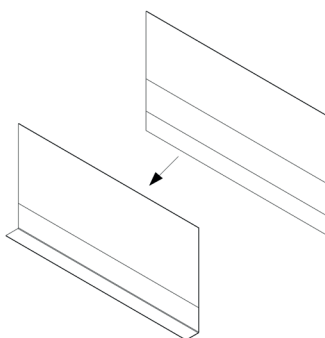
WYMIANA LEPU

Dla zapewnienia maksymalnej efektywności i skuteczności lampy Chameleon Qualis należy zawsze stosować lepy PestWest® LED21". Lep PestWest® LED21" został specjalnie opracowany wraz ze świetlówką PestWest Quantum X LED dla zapewnienia najlepszych rezultatów. Zastosowanie jakiegokolwiek innego lepu będzie miało negatywny wpływ na skuteczność lampy. Wyłączyć lampę przed przeprowadzeniem serwisu. Lepy powinny być wymieniane w przypadku zapełnienia, najrzadziej co 8 tygodni. Zalecane są regularne inspekcje lepów, ponieważ nie są widoczne w całości podczas pracy urządzenia. Upewnić się, że zostały wymienione na właściwe lepy PestWest.

Podnieść przednią pokrywę lampy do góry (jeżeli pokrywa jest podniesiona do około 45° to pozostanie ona otwarta samoczynnie). W celu wyjęcia lepu najpierw trzeba otworzyć zatrzaski znajdujące się na dole urządzenia otwierając je na zewnątrz. Teraz należy po prostu wysunąć lep do dołu.

Na lepie znajduje się linia perforacyjna, około 30mm od krawędzi, co pozwala złożyć tę niewielką część lepu pod kątem 90°. W ten sposób będą wyłapywane zabrudzenia spadające z górnej części lepu. Zanim papier ochronny zostanie usunięty z lepu należy najpierw złożyć lep, dopiero później zdjąć papier ochronny z nowego lepu.

Rysunek 4 - Przygotowanie lepu



Wsunąć nowy lep w taki sposób aby powierzchnia lepna była skierowana w stronę świetlówek. Upewnić się, że lep znajduje się pod zatrzaskami sprężynowymi w górnej części lampy. Zamknąć zatrzaski dolne, zabezpieczające zagiętą część lepu i zamknąć pokrywę. Teraz można ponownie włączyć urządzenie.

CZĘŚCI ZAMIENNE

135-000226 (Lepy LED21" - opakowanie 6 szt.).

W celu zapewnienia optymalnej i bezpiecznej pracy urządzenia należy korzystać tylko z oryginalnych części.

WYMIANA ŚWIETŁÓWEK LED

Wyłączyć lampę przed serwisowaniem. Należy mieć na uwadze, że świetlówki LED działają inaczej niż świetlówki fluorescencyjne i w przypadku nie odłączenia zasilania w trakcie wyjmowania lub wkładania świetlówki istnieje prawdopodobieństwo trwałego uszkodzenia świetlówki LED. Taka świetlówka LED nie nadaje się do ponownego użytku i naprawy.



Wyłączyć lampę przed przeprowadzeniem serwisu. Podnieść przednią pokrywę lampy do góry (jeżeli pokrywa jest podniesiona do około 45° to pozostanie ona otwarta samoczynnie). Chwycić każdą świetlówkę LED i obrócić o 90°. Po usłyszeniu dwóch „kliknięć”, świetlówkę LED można wysunąć z lampy.

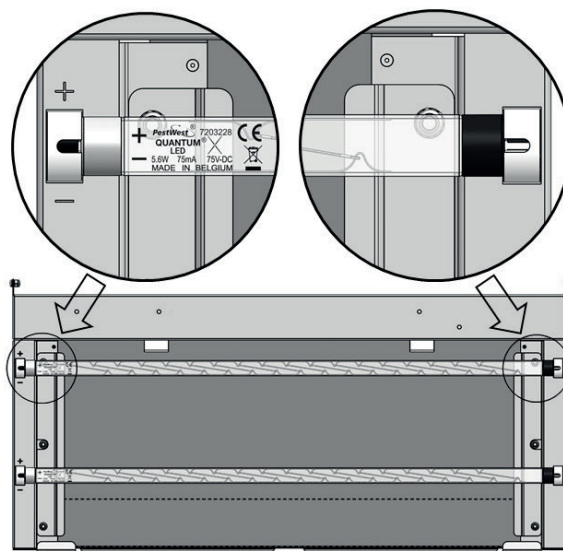
UWAGA - Świetlówki Quantum X LED są zasilane prądem stałym (D.C.) tylko z jednej strony. Łatwo można to zauważyć dzięki srebrnemu trzonkowi świetlówki i nadrukowi po lewej stronie (LHS), patrz Rysunek 5. Bolce z prądem stałym (LHS) powinny być umieszczone według prawidłowej polaryzacji: biegunowość dodatnia (+) i biegunowość ujemna (-). Należy zwrócić uwagę, że prawidłowa polaryzacja jest oznaczona za pomocą symboli (+) i (-) na świetlówce Quantum X LED (nadruk LHS) i odpowiednie bolce świetlówki LED powinny być włożone zgodnie z oznaczeniem (+) i (-) na obudowie lampy, znajdującym się po lewej stronie lampy, obok opraw. Patrz Rysunek 5.

Wymiana nowych świetlówek LED odbywa się poprzez odwrócenie procedury wyjmowania starej świetlówki. Zamknąć pokrywę przednią i włączyć urządzenie ponownie.

Rysunek 5 - Zakładanie świetlówek LED zgodnie z prawidłową polaryzacją

- Podczas wymiany świetlówki należy upewnić się, że trzonek koloru srebrnego jest wkładany do gniazda po lewej stronie (LHS) i symbole (+) i (-) są zgodne.
- Końcówka z czarnym niezasilanym trzonkiem powinna być włożona do gniazda po prawej stronie (RHS).
- W przypadku innych konfiguracji świetlówki LED nie będą funkcjonować.
- Urządzenie działa wyłącznie ze świetlówkami Quantum X LED 370nm 550mm T5.

Producent zastrzega sobie prawo zmiany danych technicznych bez wcześniejszego uprzedzenia.

**GWARANCJA**

Wszystkie lampy owadobojcze PestWest posiadają 3-letni okres gwarancji (nie dotyczy świetlówek LED i lepów).

INTRUCCIONES DE USO Y MANTENIMIENTO

PRECAUCIONES

Todos los aparatos PestWest están completamente aislados (aparatos de clase I), sin embargo, deben tenerse en cuenta las siguientes precauciones:

- **Desconecte el aparato antes de realizar el mantenimiento o la limpieza.**
- **Mantenga fuera del alcance de los niños.**
- **Los tubos Quantum[®] X LED emiten luz ultravioleta UV-A en una longitud de onda crítica de 370nm que puede ser dañina para la piel y los ojos. Evite la exposición prolongada cerca de esta luz.**
- **No utilice en zonas donde pueda haber vapor inflamable o polvo explosivo.**
- **Asegúrese de que el aparato está correctamente conectado a tierra.**
- **El Chameleon[®] Qualis puede ser utilizado por personas con capacidades físicas o mentales reducidas o sin experiencia o conocimiento, siempre y cuando hayan recibido supervisión y formación sobre el uso del Chameleon[®] Qualis de forma segura y entiendan los peligros que supone.**
- **Si el cable que se provee con el aparato está dañado, deberá ser reemplazado por el fabricante o su proveedor con el fin de evitar riesgos.**
- **Asegúrese de que los operarios disponen de una plataforma de trabajo adecuada y segura cuando trabajen con las máquinas.**
- **No permita que la tabla adhesiva se llene en exceso de insectos. Cambie la tabla adhesiva de forma regular según las capturas o al menos cada 6-8 semanas. Utilice las tablas adhesivas PestWest[®] como recambios.**
- **El Chameleon[®] Qualis es para uso en interiores exclusivamente.**
- **No apto para su uso en graneros, establos y ubicaciones similares.**
- **Para mantener la apariencia atractiva del aparato, límpielo con un trapo con la frecuencia necesaria. Utilice un trapo humedecido con agua y detergente o un limpiador apropiado. No utilice estropajos o limpiadores abrasivos.**

DESCRIPCIÓN DEL PRODUCTO

Todas las trampas de PestWest® se fabrican con materiales de la más alta calidad. El chasis del Chameleon® Qualis está fabricado en Zintec (resistente a la corrosión) con un revestimiento de poliéster pulverizado o de acero inoxidable de grado 304 en acabado cepillado.

El tubo Quantum® X LED se fabrica en el tamaño estandarizado T5 utilizado en los tubos fluorescentes convencionales Quantum de 14WT5.

Las principales ventajas del tubo de Quantum® X LED son su patrón de distribución de luz más amplio y una mayor eficiencia energética. El incremento de la atracción de los insectos se debe, en parte, a la distribución de las tiras de LED, que es de unos 360° en comparación con los 120° que los tubos LED SMD convencionales que pueden encontrarse en las trampas de luz LED de primera generación. Las tiras de LED también son más eficientes energéticamente que los tubos UV-A LED SMD y los tubos fluorescentes convencionales.

El tubo Quantum® X LED consiste en 18 tiras de LED montadas sobre un marco herméticamente sellado dentro de un tubo de cristal con un sistema de refrigeración de gas de vanguardia, muy superior al disipador térmico de metal tradicional.

Cada tira de LED está formada por 24 LEDs montados sobre una superficie transparente, lo que permite que la luz se disperse en todas direcciones. La combinación de la distribución de luz en 360° y la suave intensidad de la luz producida por una mayor cantidad de LEDs (432 por tubo) permiten al Quantum® X LED un poder de atracción superior.

ESPECIFICACIONES TÉCNICAS

Voltaje	220-240V
Frecuencia	50-60Hz
Consumo	13,5W
Grado de Protección IP	20
Clasificación	Clase I
Temperatura ambiente de funcionamiento	0 hasta 40°C
Driver LED	Corriente constante
Cobertura	90m ²
Tabla adhesiva	135-000226 Tabla Adhesiva LED
Tubo LED	130-000321 Tubo Quantum® X LED 370nm de 55cm - T5 inastillable
Montaje	Montado en pared
Dimensiones	300 x 575 x 40mm
Peso	3,1 kg

DESEMBALAJE DE SU APARATO

Cada aparato ha sido cuidadosamente inspeccionado y embalado antes de salir de la fábrica. Antes de deshacerse del cartonaje, examínelo para verificar si hay señales obvias de daños por transporte. Saque el aparato de la caja y preste atención a los materiales de embalaje en el momento de retirarlos antes de instalar la trampa.

FUNCIONAMIENTO

Las trampas de luz UV funcionan en base al principio de que la mayoría de los insectos voladores son atraídos a la luz, especialmente a la luz del espectro ultravioleta (UV). Debido a que los insectos se mantienen activos y vuelan durante la noche, las trampas deben dejarse en funcionamiento continuo las 24 horas del día para mayor efectividad.

POSICIONAMIENTO

Las trampas de luz UV deben situarse alejados de otras fuentes competitivas de luz como, por ejemplo, la luz del día. Por lo tanto, coloque la trampa donde la competencia de otras fuentes de luz sea mínima.

En áreas de preparación de alimentos, coloque el aparato junto a, pero no directamente encima de, las superficies de preparación (preferiblemente para atraer a las moscas fuera de zonas sensibles en vez de hacia ellas). Fíjese en dónde se congregan los insectos y, si es posible, coloque el aparato allí o lo más cerca posible.

Coloque el aparato en una posición donde intercepte los principales puntos de entrada de insectos, por ejemplo, cerca de puertas y ventanas que den al exterior, especialmente si dan a lugares donde se guarda basura.

Coloque el aparato en un lugar accesible y nunca sobre maquinaria en funcionamiento, donde el acceso puede ser difícil y peligroso.

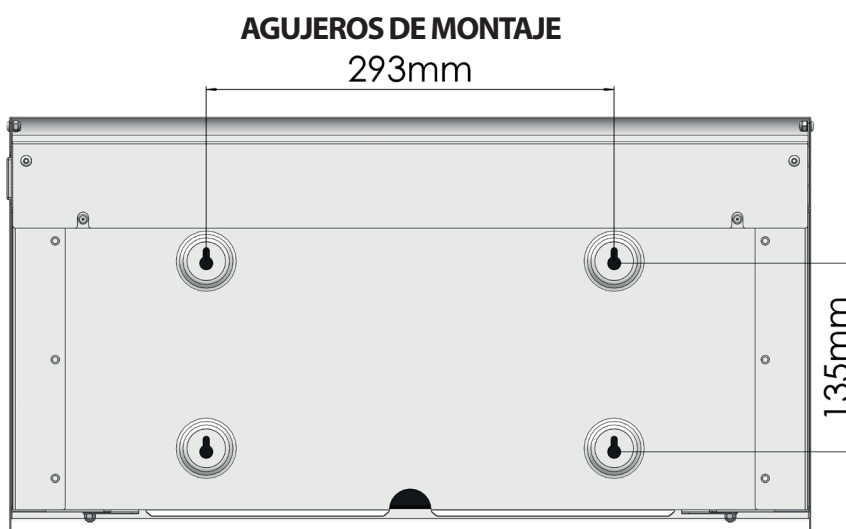
SUMINISTRO ELÉCTRICO

La trampa se suministra con un cable de toma eléctrica de 2 metros de longitud que se puede desacoplar de la trampa, con enchufe europeo, funciona con una corriente eléctrica de 220-240V 50-60Hz. Si es necesario disponer de una toma eléctrica de mayor longitud, se debería buscar los servicios de un electricista. En caso de quitar el enchufe del cable, éste se deberá desechar con seguridad. Asegurarse que, una vez instalado, el cable está correctamente montado.

INSTALACIÓN

El Chameleon® Qualis está diseñado para ser montado en la pared. El aparato tiene cuatro agujeros en el panel trasero para facilitar el montaje.

Gráfico 1 – Localización de los agujeros de montaje



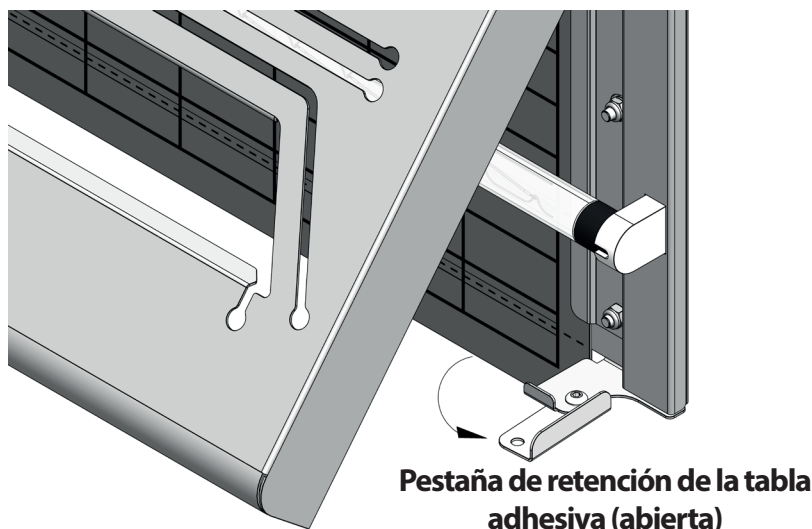
Para reducir la exposición a la piel y, especialmente, a los ojos a la luz UV, PestWest® recomienda que la trampa se coloque al menos a 1,8m del suelo (desde la base de la trampa).

También evite montar la trampa a menos de 1 m de las zonas donde haya gente trabajando durante largos periodos.

La trampa se puede montar utilizando solo los dos agujeros de montaje superiores. No obstante, si la pared es de cartón yeso (pladur®) o similar, se deben de utilizar anclajes adecuados para asegurar que la trampa queda fijada adecuadamente.

Para montar la trampa en la pared, primero abra la tapa frontal; levántela empujando hacia arriba desde los bordes inferiores (nota: la tapa permanece abierta cuando el ángulo de abertura es de aproximadamente 45°). A continuación, desbloquee las dos pestañas que retienen la tabla adhesiva girándolas hacia fuera, tal y como muestra el siguiente gráfico.

Gráfico 2 – Pestañas de retención de la tabla adhesiva

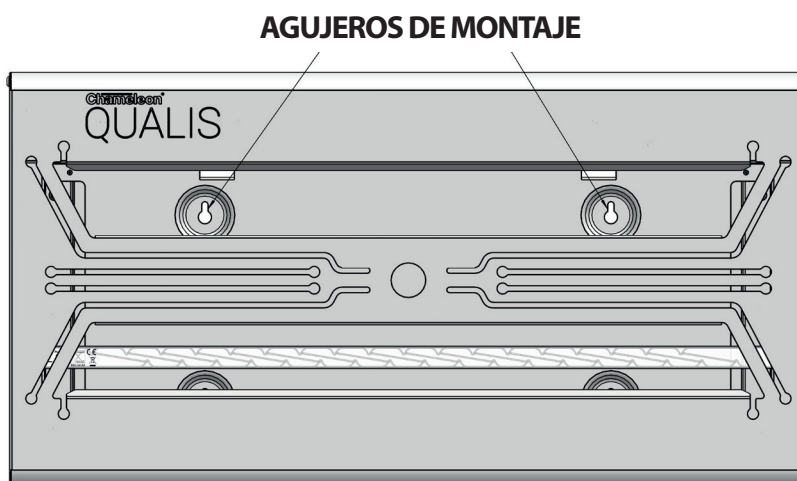


Esto le permitirá quitar la tabla adhesiva de la trampa estirándola hacia abajo.

Ahora, retire el tubo LED de la parte superior agarrándolo y girándolo 90° en cualquier dirección hasta que se escuchen 2 clics. El tubo puede ahora ser retirado del portatubos.

Cierre las pestañas de retención de la tabla adhesiva y cierre la tapa. Mirando ahora de frente la trampa, podrá ver los dos agujeros de montaje superiores. Puede utilizar la trampa como plantilla para marcar los puntos de fijación en la pared. Sitúe un nivel sobre la trampa para nivelarla en la pared.

Gráfico 3 – Marcaje de los puntos de fijación (imagen de trampa sin tabla adhesiva ni tubo superior)



Taladre los puntos marcados a una profundidad de 40 mm con una broca nº 8. Coloque los tacos de plástico en la pared y coloque y apriete los tornillos, dejando la cabeza a 10 mm de la pared. Si la pared es de cartón yeso (pladur®) o similar, recomendamos repetir el procedimiento anterior con los dos puntos de fijación inferiores.

Cuelgue la trampa de los tornillos y atorníllelos hasta que la unidad esté correctamente fijada en la pared. Asegúrese de que las cabezas de los tornillos no impidan la colocación de la placa adhesiva. Ahora puede volver a colocar el tubo (¡PRECAUCIÓN! Consulte la sección CAMBIO DEL TUBO para asegurarse de que el tubo LED está colocado correctamente) y la tabla adhesiva, siguiendo el procedimiento inverso al de extracción. Fije el cable de alimentación a la pared u otra superficie firme antes de conectarlo a la corriente.

LIMPIEZA Y MANTENIMIENTO

Para mantener la apariencia atractiva del aparato, límpielo con un trapo con la frecuencia necesaria. Desenchufe siempre el aparato antes de realizar el mantenimiento o la limpieza. Utilice un trapo humedecido con agua y detergente o un limpiador apropiado. No utilice estropajos o limpiadores abrasivos. El tubo Quantum® X LED debe cambiarse al menos una vez cada 3 años. Se recomienda llevar un registro de la fecha del cambio del tubo para consultarlo en el futuro. Hay una etiqueta en el lateral de la trampa para anotar la fecha.

El tubo Quantum® X LED está fabricado el cristal y tiene una cubierta de alta calidad de FEP resistente a impactos que permite que pueda instalarse en áreas sensibles. La cubierta de FEP es resistente a la luz UV y al calor, sin comprometer la transmisión de la luz UV.

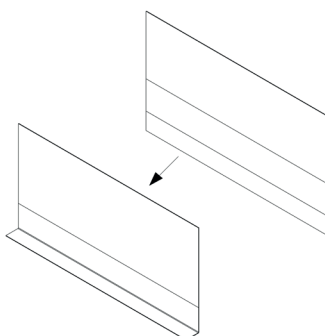
CAMBIO DE LA TABLA ADHESIVA

Instale siempre las tablas adhesivas PestWest® LED para asegurar la máxima eficiencia y eficacia del Chameleon Qualis. Esta tabla adhesiva ha sido desarrollada junto con los tubos PestWest Quantum X LED para ofrecer un funcionamiento óptimo. El uso de cualquier otro tipo de tabla adhesiva puede afectar negativamente al funcionamiento de la trampa. La tabla adhesiva debe cambiarse cuando esté llena o al menos cada 6-8 semanas. Se recomienda revisar periódicamente el estado de la tabla, ya que ésta no es completamente visible cuando la trampa está en funcionamiento. Asegúrese de usar los recambios de tabla adhesiva PestWest®.

Abra la tapa frontal; levántela empujando hacia arriba desde los bordes inferiores (Nota: la tapa permanece abierta cuando el ángulo de abertura es de aproximadamente 45°). A continuación, desbloquee las dos pestañas que retienen la tabla adhesiva girándolas hacia fuera. Esto le permitirá quitar la tabla adhesiva de la trampa estirándola hacia abajo.

La tabla adhesiva tiene una línea troquelada de unos 30mm del borde que le permite doblar esta sección en un ángulo de 90°. Esta sección ayuda a atrapar cualquier resto que se pueda caer de la parte superior de la tabla adhesiva. Doble primero la sección indicada antes de retirar el protector de la tabla.

Gráfico 4 – Doblar la tabla adhesiva



Deslice la tabla adhesiva dentro de la trampa, con la superficie adhesiva queda mirando al tubo, asegurándose de que la tabla queda ajustada bajo los retenedores de resorte de la parte superior de la trampa. Cierre las pestañas de retención de la tabla adhesiva y cierre la tapa. Ahora ya puede volver a conectar la trampa.

RECAMBIOS

Tablas adhesivas	135-000226 Tabla Adhesiva LED
Tubo LED	130-000321 Tubo Quantum® X LED 370nm de 55cm - T5 inastillable.

Para garantizar la máxima eficiencia de la trampa, utilice solo los recambios originales arriba indicados.



Desconecte el aparato antes de realizar el mantenimiento. Recuerde que los tubos LED no son como los tubos fluorescentes. Si se desconecta el aparato mientras se retira o se coloca el tubo, es probable que los LEDs se dañen de forma permanente. Esto resultará en que el tubo quedará dañado e irreparable.



CAMBIO DEL TUBO

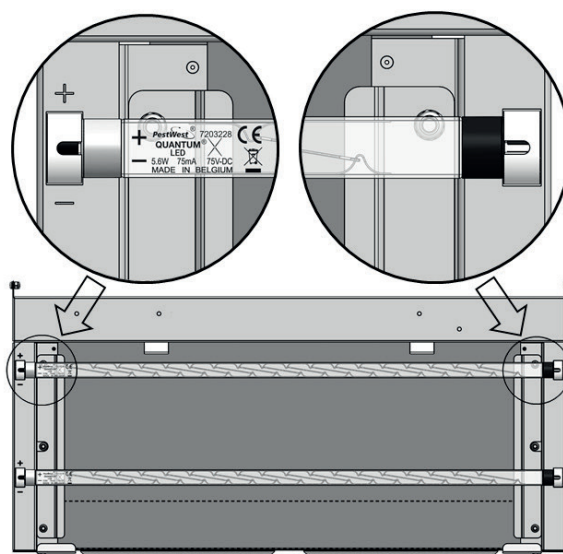
Desconecte el aparato antes de realizar el mantenimiento. Abra la tapa frontal; levántela empujando hacia arriba desde los bordes inferiores (Nota: la tapa permanece abierta cuando el ángulo de apertura es de aproximadamente 45°). Retire el tubo LED agarrándolo y girándolo 90° en cualquier dirección hasta que se escuchen 2 clics. El tubo puede ahora ser retirado del portatubos.

PRECAUCIÓN: Los tubos Quantum® X LED trabajan con corriente continua (CC) en solo uno de los extremos, fácilmente identificable por el casquillo plateado y la inscripción (ver gráfico 5). Las clavijas de alimentación de CC necesitan colocarse en la polaridad correcta, positiva (+) y negativa (-). Por favor, vea que la polaridad correcta viene marcada en el símbolo + y - en la inscripción del tubo. Las correspondientes clavijas deben colocarse en la posición adecuada según indican el símbolo + y - en el chasis metálico, en el lado izquierdo de la trampa, cerca de los portatubos (ver gráfico 5).

Para colocar el nuevo tubo, siga los pasos anteriores en sentido inverso. Cierra la tapa de la trampa y conecte de nuevo el aparato.

Gráfico 5 – Colocación del tubo en la polaridad y orientación correctas

- Cuando coloque el tubo, asegúrese de que el casquillo plateado queda colocado en el portatubos del lado izquierdo, con los símbolos + y - correctamente alineados.
- El casquillo negro sin voltaje debe colocarse en el portatubos del lado derecho.
- El tubo LED no funcionará en cualquier otra configuración.
- La trampa solo funcionará con el tubo Quantum® X LED 370nm 55cm T5.



El fabricante se reserva el derecho de variar las especificaciones del modelo sin previo aviso.

GARANTÍA

Todos los dispositivos PestWest® disponen de una garantía de 3 años (excluyendo los tubos de luz ultravioleta y las tablas adhesivas).

CHAMELEON® QUALIS - NOTICE D'INSTRUCTIONS ET DE MAINTENANCE - FRANCAIS**SECURITE**

Tous les désinsectiseurs PestWest® sont entièrement isolés d'un point de vue électrique (appareils électriques appartenant à la classe I). Cependant, certaines précautions doivent être prises :

- **DEBRANCHER L'APPAREIL AVANT LA MAINTENANCE OU L'ENTRETIEN.**
- **GARDER HORS DE PORTEE DES ENFANTS.**
- **LES TUBES LED QUANTUM® X EMETTENT UNE LUMIERE ULTRAVIOLETTE DANS LE DOMAINE DES UVA A UNE LONGUEUR D'ONDE DE 370 NM, QUI PEUT ETRE NOCIF POUR LA PEAU ET LES YEUX, EVITER UNE EXPOSITION PROLONGEE A PROXIMITE IMMEDIATE.**
- **NE PAS INSTALLER A PROXIMITE D'UNE ZONE POUVANT PRESENTER UNE DANGEREUSE CONCENTRATION DE GAZ INFLAMMABLES OU DE POUSSIERES.**
- **VERIFIER QUE L'APPAREIL EST CONVENABLEMENT MIS A LA TERRE.**
- **LE CHAMELEON® QUALIS PEUT ETRE UTILISE PAR DES PERSONNES AYANT DES CAPACITES PHYSIQUES, AUDITIVES OU MENTALES REDUITES, OU DENUES D'EXPERIENCE OU DE CONNAISSANCE DU PRODUIT, SI ELLES SONT INFORMEES DES RISQUES EXISTANTS ET ONT PU BENEFICIER D'INSTRUCTIONS OU D'UNE SUPERVISION PREALABLE QUANT A UNE UTILISATION SURE.**
- **DANS LE CAS OU LE CABLE D'ALIMENTATION EST ENDOMMAGE, IL DOIT ETRE REMPLACE UNIQUEMENT PAR LE FABRICANT, UN AGENT AGREE ET COMPETENT OU UNE PERSONNE QUALIFIEE AFIN D'EVITER TOUT RISQUE.**
- **S'ASSURER QUE L'OPERATEUR DISPOSE D'UNE POSITION SURE ET ADAPTEE LORSQU'IL INTERVIENT SUR L'APPAREIL.**
- **NE PAS LAISSER LES PLAQUES DE GLU SE SATURER D'INSECTES MORTS. CHANGER LES PLAQUES A INTERVALLES REGULIERS SUIVANT LE NIVEAU DE CAPTURE OU AU MOINS TOUTES LES 6-8 SEMAINES. UTILISER UNIQUEMENT DES PLAQUES DE GLU PESTWEST®.**
- **LE CHAMELEON® QUALIS EST DESTINE EXCLUSIVEMENT A UNE UTILISATION A L'INTERIEUR DES LOCAUX.**
- **CET APPAREIL NE CONVIENT PAS POUR UNE UTILISATION DANS DES GRANGES, ETABLES OU AUTRES ENDROITS SIMILAIRES.**
- **UN ENTRETIEN SIMPLE MAIS REGULIER PERMET DE CONSERVER L'ASPECT ESTHETIQUE DES APPAREILS. POUR CELA, ESSUYER LE CORPS DE L'APPAREIL AVEC UN CHIFFON HUMIDE ET UN DETERGENT DOUX OU UN PRODUIT DE NETTOYAGE ADAPTE. NE PAS UTILISER D'ABRASIF OU DE TAMPON A RECUPER.**

DESCRIPTION DU PRODUIT

Tous les appareils PestWest utilisent des matériaux de très haute qualité. Le châssis du Chameleon® Qualis est entièrement en acier électrozingué laqué blanc avec une poudre de polyester ou en acier inoxydable brossé (de norme 304). L'appareil utilise une plaque de glu de grande dimension de la gamme PestWest. Il est équipé de tubes UV LED à filament Quantum® X de la nouvelle génération, gainés avec une résine FEP normative protégeant contre les bris de verre en cas d'impact. Ils présentent un pic d'émission à 370 nm.

Le nouveau tube LED à filament Quantum® X est fabriqué suivant la forme habituelle du tube T5 (tube en verre, embouts et broches), utilisée par les tubes Quantum fluorescents classiques de 14W.

Les principaux avantages de la technologie LED à filament Quantum® X sont une meilleure répartition de l'émission de la lumière et l'amélioration de l'efficacité énergétique.

L'attraction accrue sur les insectes volants est en partie due à la distribution lumineuse des filaments LED, qui est d'environ 360° contre seulement 120° typiquement pour les LED à haute puissance des désinsectiseurs plus anciens, de la première génération (munis de LED pour dispositifs de montage en surface). Les filaments LED offrent aussi une plus grande efficacité énergétique que les LED à haute puissance de montage en surface et que les tubes fluorescents conventionnels.

Le tube LED à filament Quantum® X comprend 18 filaments LED individuels montés sur un support et scellés hermétiquement à l'intérieur d'un tube en verre pourvu d'un système de refroidissement à gaz de pointe, nettement supérieur aux dissipateurs thermiques traditionnels en métal.

Chaque filament LED possède 24 LED individuelles qui sont montées sur un substrat translucide permettant au tube LED à filament Quantum® X d'émettre de la lumière dans toutes les directions. La combinaison d'une distribution lumineuse sur 360° et d'une intensité lumineuse plus douce répartie sur bien davantage de LED (432 par tube) offre au tube Quantum X une attraction sur les insectes volants supérieure.

CARACTERISTIQUES TECHNIQUES

Plage de tension	220 – 240 V
Gamme de fréquences	50 - 60 Hz
Consommation électrique	13,5 W
Indice de Protection	20
Classification électrique	Classe 1
Températures ambiantes de fonctionnement	0 à + 40 °C
Catégorie de driver des tubes LED	Courant continu
Zone de couverture	90 m ²
Plaque de glu	Gamme Chameleon®, LED 55 cm; référence : 135-000226
Type de tube LED	Quantum X LED 370 nm, 550 mm, T5, gainé. Réf. : 130-000321
Montage de l'appareil	Mural
Dimensions	300 x 575 x 40 mm (hauteur x largeur x profondeur)
Poids	3,1 kg

RETRAIT DU MATERIEL D'EMBALLAGE

Chaque modèle est inspecté et emballé avec soin avant de quitter nos locaux. A la réception de l'appareil, vérifier que le carton d'emballage extérieur ne porte pas de traces évidentes de dégradations durant le transport. Extraire l'appareil en prenant soin de retirer tous les éléments d'emballage.

MODE DE FONCTIONNEMENT

Le principe des désinsectiseurs repose sur l'attraction exercée par la lumière et plus particulièrement la lumière UV sur les insectes volants. Les insectes étant toujours actifs la nuit, les désinsectiseurs doivent fonctionner continuellement, 24 heures par jour.

POSITIONNEMENT

L'efficacité de l'appareil peut être affectée par l'intensité d'autres sources lumineuses, la lumière du jour par exemple. Il convient par conséquent d'installer l'appareil là où la compétition avec d'autres sources lumineuses est limitée.

En zones alimentaires, le désinsectiseur devrait se trouver près des zones de préparation des aliments mais pas directement au-dessus. Il doit éloigner les insectes des aliments et ne pas les attirer vers ces derniers. Observer les zones de regroupement des insectes et placer, si possible, l'appareil à proximité.

L'appareil devrait être placé en position d'interception entre les zones où se trouvent les aliments et celles où les mouches sont susceptibles de pénétrer, c'est-à-dire près des portes et fenêtres ouvertes sur l'extérieur, notamment en cas de présence de conteneurs à déchets.

Placer l'appareil à un endroit accessible pour faciliter sa maintenance et limiter les risques et non pas par exemple au-dessus des machines de production.

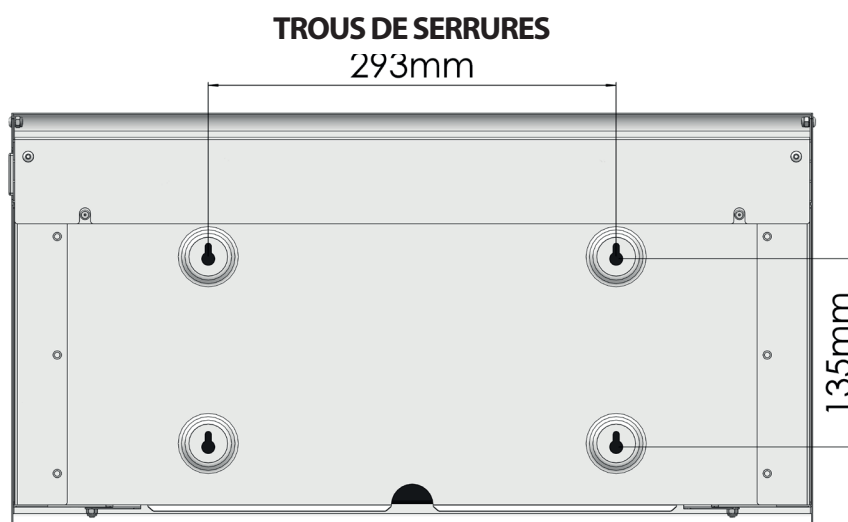
ALIMENTATION ELECTRIQUE

Les appareils sont fournis avec un câble d'alimentation secteur amovible de 2 mètres de long, dont un embout se termine par une fiche conforme à l'alimentation électrique locale. Les appareils fonctionnent à partir d'une alimentation de 220-240 V, 50/60 Hz. S'il est nécessaire de rallonger le câble d'alimentation, cette opération doit être effectuée par un électricien compétent. Si une prise moulée du câble doit être retirée, celle-ci doit être mise au rebut conformément. Lorsque l'appareil est installé, s'assurer que le cordon est parfaitement en place.

INSTALLATION

Le Chameleon Qualis est conçu pour une installation murale. L'appareil possède 4 orifices en forme de trous de serrure sur sa façade arrière pour faciliter cette installation.

Schéma 1 - Position des orifices en forme de trous de serrure

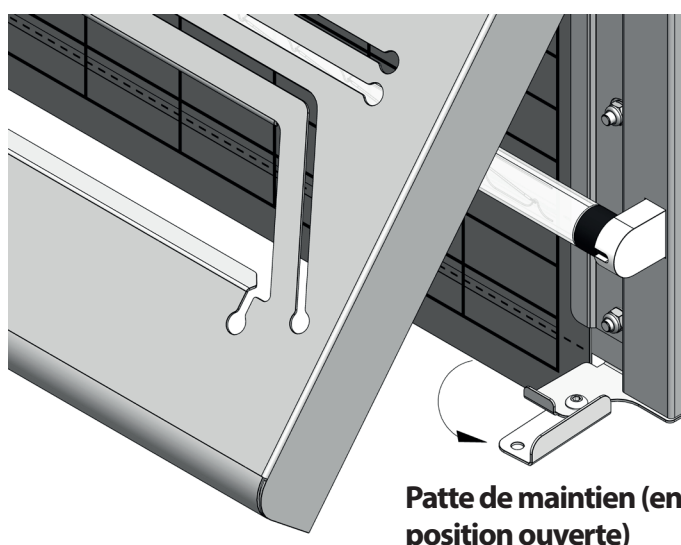


Pour réduire l'exposition de la peau et plus particulièrement encore des yeux aux rayons UV, PestWest recommande d'installer l'appareil à une hauteur de 1,8 m au-dessus du sol (mesurée depuis la base inférieure de l'appareil). Eviter également une installation à proximité (moins de 1 m) d'une zone où les gens travaillent pendant de longues périodes.

L'appareil peut être installé au mur par le biais des 2 orifices supérieurs uniquement. Cependant, si le mur est en plâtré ou de construction similaire, il est conseillé d'utiliser les 4 orifices de fixation et des vis et chevilles adaptées pour permettre une installation murale sûre et ferme.

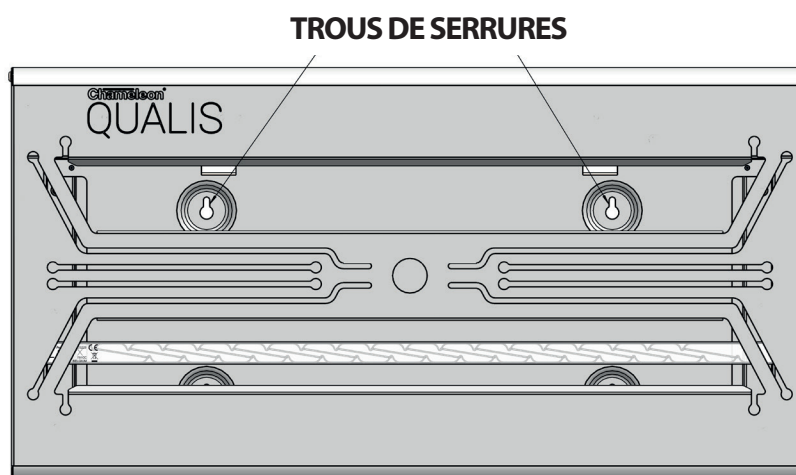
Afin d'installer l'appareil au mur, il faut tout d'abord ouvrir le couvercle avant de l'appareil en le soulevant (NB : lorsque le couvercle avant est ouvert à environ 45°, il reste en position ouverte), puis retirer la plaque de glu et le tube LED supérieur. Pour retirer la plaque de glu, ouvrir les pattes de maintien de la plaque situées à la base de l'appareil en les faisant pivoter vers l'extérieur. Il suffit alors de simplement tirer la plaque de glu vers le bas. Pour retirer le tube LED supérieur, le tourner de 90° dans l'un ou l'autre sens jusqu'à entendre deux déclics, puis l'extraire hors des douilles.

Schéma 2 - pattes de maintien de la plaque de glu



Fermer les pattes de maintien de la plaque de glu, puis le couvercle avant. Les orifices de fixation supérieurs sont maintenant visibles au travers de l'appareil. Utiliser l'appareil comme gabarit pour marquer les 2 points de fixation sur la surface choisie en s'assurant que l'appareil est bien horizontal à l'aide d'un niveau à bulle.

Schéma 3 - Marquage des points de fixation (plaque de glu et tube LED supérieur retirés)



Percer à une profondeur de 40 mm à l'aide d'une mèche numéro 8. Insérer les chevilles dans le mur puis visser les vis en laissant la tête de la vis, environ 10 mm, apparaître hors du mur. Si le mur est en plâtré ou de construction similaire, il est recommandé de répéter la procédure ci-dessus avec les deux points de fixation inférieurs.

L'appareil peut maintenant être accroché sur les vis par le biais des orifices en forme de trous de serrure. Les vis doivent ensuite être complètement vissées afin de fixer fermement l'appareil au mur. Vérifier aussi que la tête des vis ne bloque pas la bonne mise en place de la plaque de glu. Réinstaller la plaque de glu et le tube LED en suivant la procédure inverse de celle décrite pour leur retrait. ATTENTION : se référer au paragraphe 'REPLACEMENT DES TUBES LED' afin de s'assurer d'une mise en place correcte. Fixer le câble d'alimentation secteur au mur ou sur une surface ferme avant de brancher.

MAINTENANCE

ENTRETIEN

Un entretien simple mais régulier permet de conserver l'aspect esthétique des appareils. Toujours débrancher l'appareil avant sa maintenance ou son entretien. Utiliser un chiffon humide et un détergent doux ou un produit de nettoyage adapté. Ne pas utiliser d'abrasif ou de tampon à récurer.

Les tubes LED Quantum X du Chameleon Qualis doivent être remplacés au moins une fois tous les 3 ans. Il est recommandé de noter la date du remplacement pour des besoins ultérieurs, une étiquette sur le côté de l'appareil est prévue pour cela.

Le tube LED Quantum X comporte une enveloppe en verre qui est gainée pour une utilisation dans les zones où la présence de bris de verre n'est pas tolérée. La gaine des tubes est de la plus haute qualité actuellement disponible. Le matériau utilisé (FEP) permet une excellente diffusion de la lumière UV attractive tout en résistant parfaitement à la température du tube en fonctionnement et aux UV.

CHANGEMENT DE LA PLAQUE DE GLU

Installer uniquement des plaques de glu PestWest® LED 55 cm pour garantir une efficacité et un fonctionnement optimaux du Chameleon Qualis. Cette plaque de glu a été développée en conjonction avec les tubes LED PestWest Quantum X pour fournir les meilleures performances possibles. L'utilisation de tout autre plaque de glu aura un impact négatif sur les performances de l'appareil.

Débrancher l'appareil avant la maintenance. Les plaques de glu doivent être changées lorsqu'elles sont pleines ou au moins toutes les 6 à 8 semaines. Une inspection régulière des plaques de glu est recommandée et ce d'autant plus qu'elles ne sont pas complètement visibles dans l'appareil. Utiliser uniquement des plaques de glu PestWest pour effectuer le remplacement.

Ouvrir le couvercle avant de l'appareil en le soulevant (NB : lorsque le couvercle avant est ouvert à 45°, il reste en position ouverte). Pour retirer la plaque de glu, il faut d'abord ouvrir les pattes de maintien de la plaque situées à la base de l'appareil en les faisant pivoter vers l'extérieur. Ceci permet un retrait facile de la plaque de glu usagée. Tirer alors simplement la plaque vers le bas.

La plaque de glu possède une ligne de perforations située à environ 30 mm du bord de la plaque, ce qui permet à cette petite section d'être pliée de façon à former un angle droit. Cette section de la plaque de glu permettra de capturer d'éventuels débris d'insectes tombant de la plaque. Il est préférable de plier cette section avant de retirer le papier adhésif protecteur recouvrant la glu.

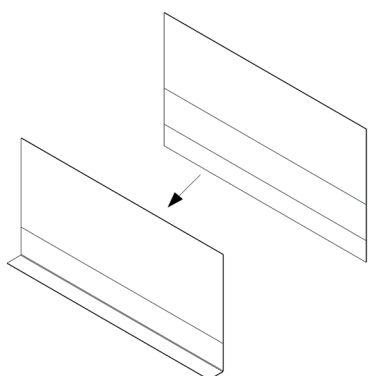


Schéma 4 – Pliage de la plaque de glu

Insérer la plaque de glu dans l'appareil, le côté englué faisant face aux tubes LED, jusqu'à la bloquer sous les deux attaches situées sous le haut du châssis. Fermer les pattes de maintien de la plaque de glu en position initiale afin de maintenir la section pliée à angle droit. Refermer le couvercle avant puis rebrancher l'appareil.

CONSOMMABLES

Référence pour la plaque de glu : 135-000226, LED 55 cm.

Par paquet de 6 plaques.

Référence pour le tube LED : 130-000321 (tube LED Quantum X gainé, 370 nm, 550 mm de long, T5).

Utiliser uniquement les pièces d'origine décrites ci-dessus afin de préserver la sûreté de l'appareil et de garantir des performances optimales.



Débrancher l'appareil avant la maintenance Il est impératif de noter que les tubes LED sont fondamentalement différents des tubes fluorescents. Omettre de débrancher l'appareil de l'alimentation secteur lors du retrait ou de l'insertion d'un tube risque fort d'endommager définitivement les LED. Cela entraînera des dommages irréparables du tube LED.

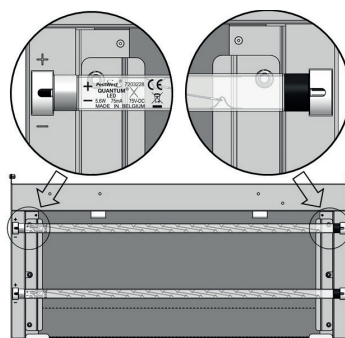


CHANGEMENT DES TUBES LED

Débrancher l'appareil avant la maintenance. Ouvrir le couvercle avant de l'appareil en le soulevant (NB : lorsque le couvercle avant est ouvert à 45°, il reste en position ouverte). Saisir puis tourner chaque tube LED de 90° jusqu'à entendre les deux déclics. Retirer vers soi les tubes LED hors des douilles.

ATTENTION - Les tubes LED Quantum X sont alimentés en courant continu à une seule extrémité, qui est facilement identifiable par l'embout argenté et le marquage sur le côté gauche, voir schéma 5. Les broches d'entrée de courant continu du côté gauche nécessitent un alignement correct de la polarité, positif (+) et négatif (-). La polarité correcte est indiquée par un symbole + & - sur le tube LED Quantum X (marquage sur le côté gauche). Les broches du tube LED correspondantes doivent être alignées sur les symboles + & - estampillés sur le châssis, situés sur le côté gauche de l'appareil, à côté des douilles de maintien du tube, voir schéma 5.

Schéma 5 – Mise en place du tube LED suivant la polarité et l'orientation correctes



Installer les nouveaux tubes LED en suivant la procédure inverse de celle décrite pour leur retrait. Fermer le couvercle avant et rebrancher l'appareil.

- Lors de l'installation des tubes LED, s'assurer que l'embout argenté est monté dans les douilles de maintien du côté gauche de l'appareil, avec les symboles + & - correctement alignés.
- L'embout noir dénué de tension électrique doit être monté dans les douilles de maintien du côté droit de l'appareil.
- Les tubes LED ne fonctionnent dans aucune autre configuration.
- L'appareil fonctionne uniquement avec des tubes LED Quantum X gainés, 370 nm, 550 mm de long, T5.

Le fabricant se réserve le droit de modifier les caractéristiques des appareils sans notification préalable.

GARANTIE

Les appareils PestWest sont garantis pendant 3 ans (hors tubes LED et plaque de glu).

